



MN52/08

DARWIN

24 December 2008

Mining Act
NOTICE OF LAND CEASING TO BE AN EXPLORATION LICENCE AREA

Title Type and Number: Exploration Licence 24724
Area Ceased on: 02 December 2008
Area: 16 Blocks, 50.74 sq kms
Locality: JINKA
Name of Holder/s: 100% NUPOWER RESOURCES LTD [ACN. 120 787 859]

672/08

Mining Act
NOTICE OF LAND CEASING TO BE AN EXPLORATION LICENCE AREA

Title Type and Number: Exploration Licence 25268
Area Ceased on: 17 December 2008
Area: 155 Blocks, 479.99 sq kms
Locality: CURTIN
Name of Holder/s: 100% CARBON ENERGY LIMITED [ACN. 057 552 137]

674/08

Mining Act
NOTICE OF LAND CEASING TO BE AN EXPLORATION LICENCE AREA

Title Type and Number: Exploration Licence 25265
Area Ceased on: 16 December 2008
Area: 42 Blocks, 124.81 sq kms
Locality: DENISON
Name of Holder/s: 100% CARBON ENERGY LIMITED [ACN. 057 552 137]

673/08

Mining Act
NOTICE OF LAND CEASING TO BE AN EXPLORATION LICENCE AREA

Title Type and Number: Exploration Licence 25311
Area Ceased on: 22 December 2008
Area: 10 Blocks, 33.35 sq kms
Locality: PINE CREEK
Name of Holder/s: 100% TERRITORY URANIUM COMPANY LTD* [ACN. 115 770 226]

675/08



MN52/08

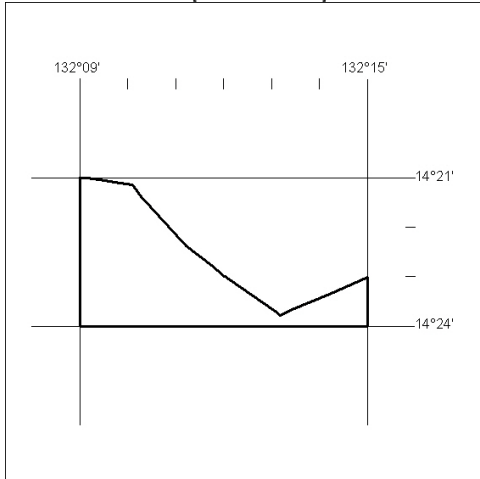
DARWIN

24 December 2008

Mining Act

NOTICE OF LAND CEASING TO BE AN EXPLORATION LICENCE AREA

Title Type and Number: Exploration Licence 26323
 Area Ceased on: 17 December 2008
 Area: 11 Blocks, 28.50 sq kms
 Locality: KATHERINE
 Name of Holder/s: 100% REGALPOINT EXPLORATION PTY LTD
 * [ACN. 122 727 342]

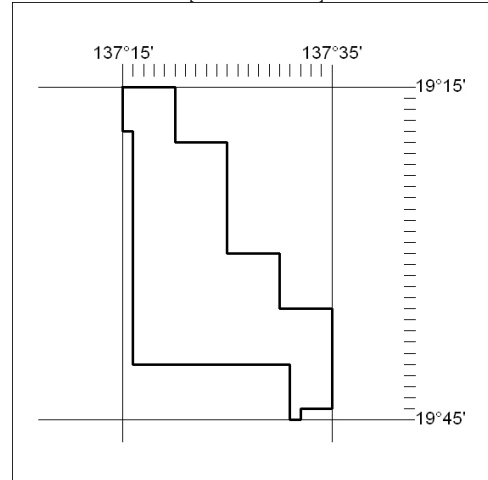


676/08

Mining Act

NOTICE OF GRANT OF AN EXPLORATION LICENCE

Title Type and Number: Exploration Licence 26703
 Granted: 15 December 2008, for a period of 5 Years
 Area: 296 Blocks, 958.30 sq kms
 Locality: LIGNUM
 Name of Holder/s: 100% AUSTRALIS EXPLORATION PTY LTD
 [ACN. 125 939 291]



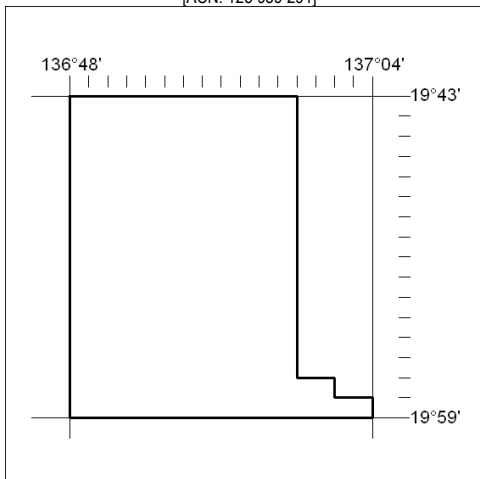
Area granted depicted above. Excluding therefrom all land that is subject of a mining tenement, or an application for a mining tenement made before the application for the grant of this licence, and excluding all land the subject of a reservation from occupation under the *Mining Act* and all land vested in the Commonwealth of Australia.

678/08

Mining Act

NOTICE OF GRANT OF AN EXPLORATION LICENCE

Title Type and Number: Exploration Licence 26702
 Granted: 15 December 2008, for a period of 5 Years
 Area: 198 Blocks, 639.70 sq kms
 Locality: RANKEN
 Name of Holder/s: 100% AUSTRALIS EXPLORATION PTY LTD
 [ACN. 125 939 291]



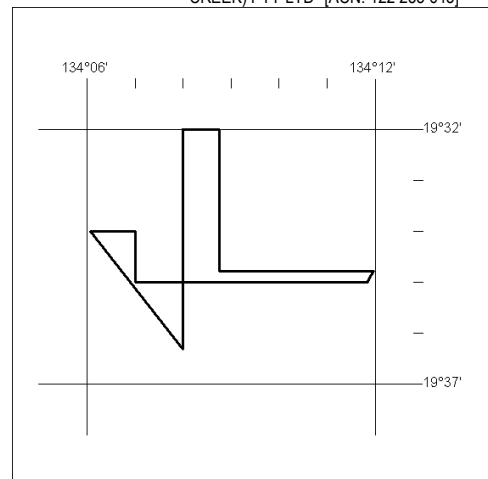
Area granted depicted above. Excluding therefrom all land that is subject of a mining tenement, or an application for a mining tenement made before the application for the grant of this licence, and excluding all land the subject of a reservation from occupation under the *Mining Act* and all land vested in the Commonwealth of Australia.

677/08

Mining Act

NOTICE OF GRANT OF AN EXPLORATION LICENCE

Title Type and Number: Exploration Licence 26756
 Granted: 15 December 2008, for a period of 6 Years
 Area: 10 Blocks, 13.51 sq kms
 Locality: TENNANT CREEK
 Name of Holder/s: 100% PROSPERITY RESOURCES (TENNANT CREEK) PTY LTD* [ACN. 122 235 643]



Area granted depicted above. Excluding therefrom all land that is subject of a mining tenement, or an application for a mining tenement made before the application for the grant of this licence, and excluding all land the subject of a reservation from occupation under the *Mining Act* and all land vested in the Commonwealth of Australia.

679/08



MN52/08

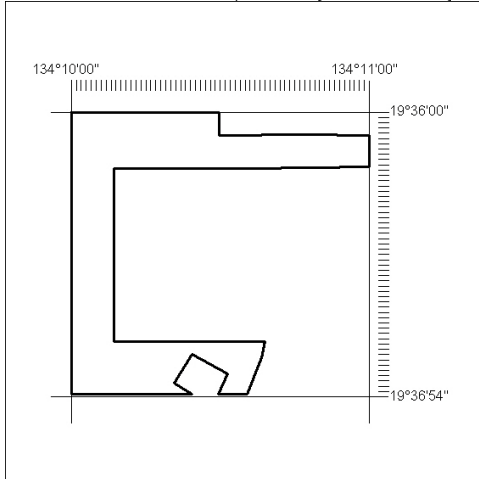
DARWIN

24 December 2008

Mining Act

NOTICE OF GRANT OF AN EXPLORATION LICENCE

Title Type and Number: Exploration Licence 26757
 Granted: 15 December 2008, for a period of 2 Years
 Area: 1 Block, 1.00 sq kms
 Locality: TENNANT CREEK
 Name of Holder/s: 100% PROSPERITY RESOURCES (TENNANT CREEK) PTY LTD* [ACN. 122 235 643]



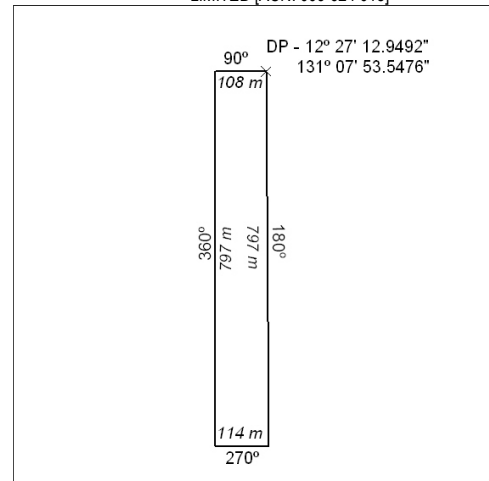
Area granted depicted above. Excluding therefrom all land that is subject of a mining tenement, or an application for a mining tenement made before the application for the grant of this licence, and excluding all land the subject of a reservation from occupation under the *Mining Act* and all land vested in the Commonwealth of Australia.

680/08

Mining Act

NOTICE OF GRANT OF A MINING TENEMENT

Title Type and Number: Extractive Mineral Permit 25149
 Granted: 15 December 2008, for a period of 2 Years
 Area: 9.00 Hectares
 Locality: KOOLPINYAH
 Name of Holder/s: 100% A AND SF MADDALOZZO PTY. LIMITED [ACN. 009 624 015]

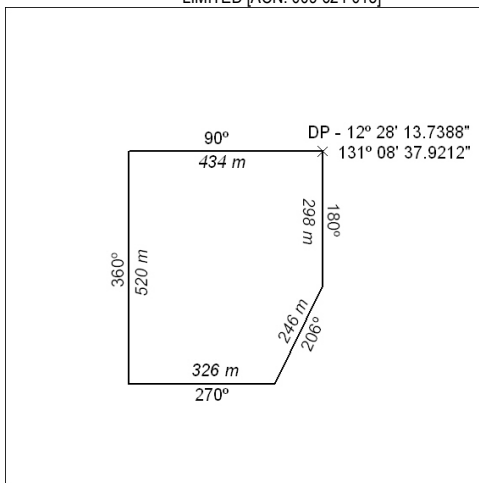


682/08

Mining Act

NOTICE OF GRANT OF A MINING TENEMENT

Title Type and Number: Extractive Mineral Permit 25148
 Granted: 15 December 2008, for a period of 2 Years
 Area: 22.00 Hectares
 Locality: KOOLPINYAH
 Name of Holder/s: 100% A AND SF MADDALOZZO PTY. LIMITED [ACN. 009 624 015]

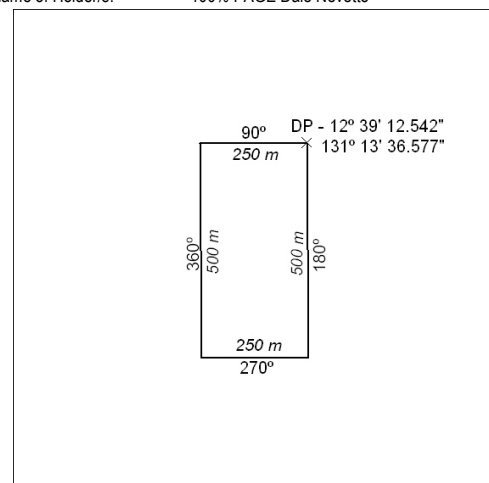


681/08

Mining Act

NOTICE OF GRANT OF A MINING TENEMENT

Title Type and Number: Extractive Mineral Permit 26786
 Granted: 15 December 2008, for a period of 2 Years
 Area: 12.54 Hectares
 Locality: NOONAMAH
 Name of Holder/s: 100% PAGE Dale Nevette



683/08