



MN44/09

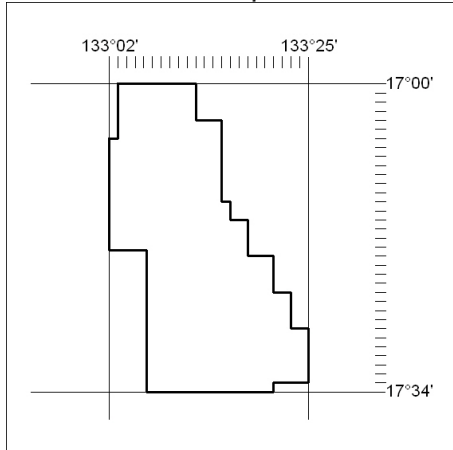
DARWIN

04 November 2009

Mining Act

NOTICE OF GRANT OF AN EXPLORATION LICENCE

Title Type and Number: Exploration Licence 27186
 Granted: 26 October 2009, for a period of 6 Years
 Area: 500 Blocks, 1616.35 sq kms
 Locality: NEWCASTLE WATERS
 Name of Holder/s: 100% VALE AUSTRALIA EA PTY LTD [ACN. 081 724 101]



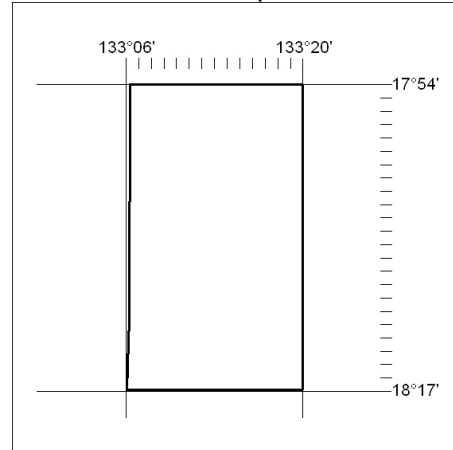
Area granted depicted above. Excluding therefrom all land that is subject of a mining tenement, or an application for a mining tenement made before the application for the grant of this licence, and excluding all land the subject of a reservation from occupation under the *Mining Act* and all land vested in the Commonwealth of Australia.

769/09

Mining Act

NOTICE OF GRANT OF AN EXPLORATION LICENCE

Title Type and Number: Exploration Licence 27189
 Granted: 26 October 2009, for a period of 6 Years
 Area: 322 Blocks, 1025.30 sq kms
 Locality: KEKWICK
 Name of Holder/s: 100% VALE AUSTRALIA EA PTY LTD [ACN. 081 724 101]



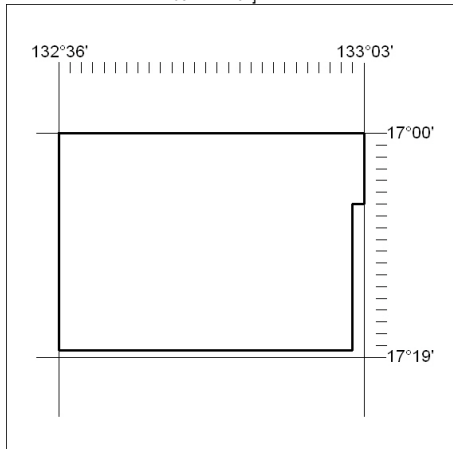
Area granted depicted above. Excluding therefrom all land that is subject of a mining tenement, or an application for a mining tenement made before the application for the grant of this licence, and excluding all land the subject of a reservation from occupation under the *Mining Act* and all land vested in the Commonwealth of Australia.

771/09

Mining Act

NOTICE OF GRANT OF AN EXPLORATION LICENCE

Title Type and Number: Exploration Licence 27188
 Granted: 26 October 2009, for a period of 6 Years
 Area: 500 Blocks, 1589.12 sq kms
 Locality: MURRANJ I
 Name of Holder/s: 100% VALE AUSTRALIA EA PTY LTD [ACN. 081 724 101]



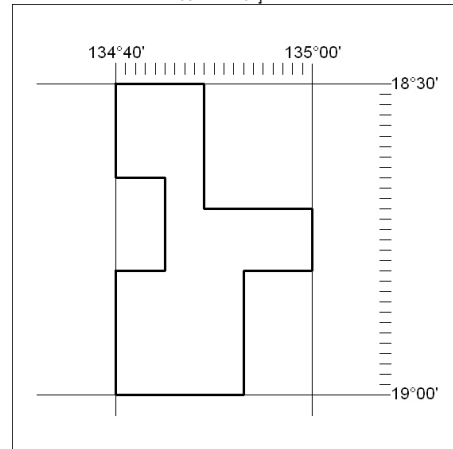
Area granted depicted above. Excluding therefrom all land that is subject of a mining tenement, or an application for a mining tenement made before the application for the grant of this licence, and excluding all land the subject of a reservation from occupation under the *Mining Act* and all land vested in the Commonwealth of Australia.

770/09

Mining Act

NOTICE OF GRANT OF AN EXPLORATION LICENCE

Title Type and Number: Exploration Licence 27191
 Granted: 26 October 2009, for a period of 6 Years
 Area: 339 Blocks, 1102.36 sq kms
 Locality: MUNKADERRY
 Name of Holder/s: 100% VALE AUSTRALIA EA PTY LTD [ACN. 081 724 101]



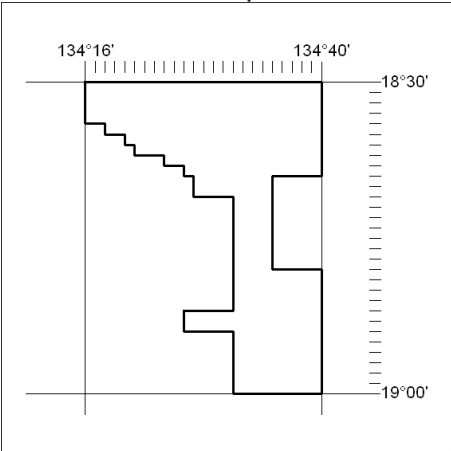
Area granted depicted above. Excluding therefrom all land that is subject of a mining tenement, or an application for a mining tenement made before the application for the grant of this licence, and excluding all land the subject of a reservation from occupation under the *Mining Act* and all land vested in the Commonwealth of Australia.

772/09

Mining Act

NOTICE OF GRANT OF AN EXPLORATION LICENCE

Title Type and Number: Exploration Licence 27192
 Granted: 26 October 2009, for a period of 6 Years
 Area: 349 Blocks, 1135.07 sq kms
 Locality: MUNKADERRY
 Name of Holder/s: 100% VALE AUSTRALIA EA PTY LTD [ACN. 081 724 101]



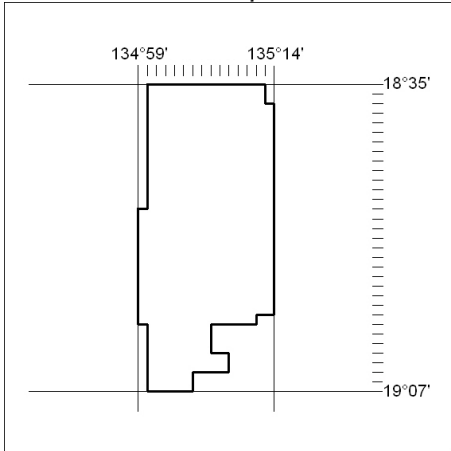
Area granted depicted above. Excluding therefrom all land that is subject of a mining tenement, or an application for a mining tenement made before the application for the grant of this licence, and excluding all land the subject of a reservation from occupation under the *Mining Act* and all land vested in the Commonwealth of Australia.

773/09

Mining Act

NOTICE OF GRANT OF AN EXPLORATION LICENCE

Title Type and Number: Exploration Licence 27194
 Granted: 26 October 2009, for a period of 6 Years
 Area: 407 Blocks, 1323.04 sq kms
 Locality: ROCKHAMPTON DOWNS
 Name of Holder/s: 100% VALE AUSTRALIA EA PTY LTD [ACN. 081 724 101]



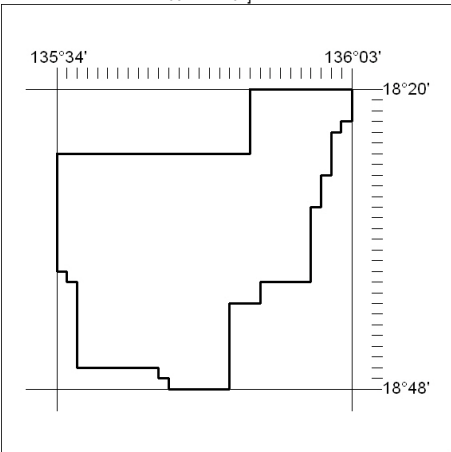
Area granted depicted above. Excluding therefrom all land that is subject of a mining tenement, or an application for a mining tenement made before the application for the grant of this licence, and excluding all land the subject of a reservation from occupation under the *Mining Act* and all land vested in the Commonwealth of Australia.

775/09

Mining Act

NOTICE OF GRANT OF AN EXPLORATION LICENCE

Title Type and Number: Exploration Licence 27193
 Granted: 26 October 2009, for a period of 6 Years
 Area: 500 Blocks, 1626.17 sq kms
 Locality: BRUNETTE
 Name of Holder/s: 100% VALE AUSTRALIA EA PTY LTD [ACN. 081 724 101]



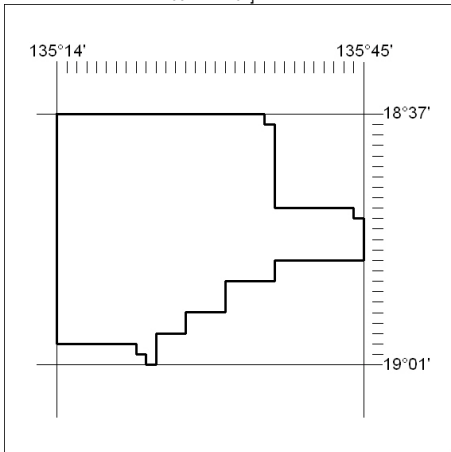
Area granted depicted above. Excluding therefrom all land that is subject of a mining tenement, or an application for a mining tenement made before the application for the grant of this licence, and excluding all land the subject of a reservation from occupation under the *Mining Act* and all land vested in the Commonwealth of Australia.

774/09

Mining Act

NOTICE OF GRANT OF AN EXPLORATION LICENCE

Title Type and Number: Exploration Licence 27195
 Granted: 26 October 2009, for a period of 6 Years
 Area: 485 Blocks, 1573.66 sq kms
 Locality: ROCKHAMPTON DOWNS
 Name of Holder/s: 100% VALE AUSTRALIA EA PTY LTD [ACN. 081 724 101]



Area granted depicted above. Excluding therefrom all land that is subject of a mining tenement, or an application for a mining tenement made before the application for the grant of this licence, and excluding all land the subject of a reservation from occupation under the *Mining Act* and all land vested in the Commonwealth of Australia.

776/09



MN44/09

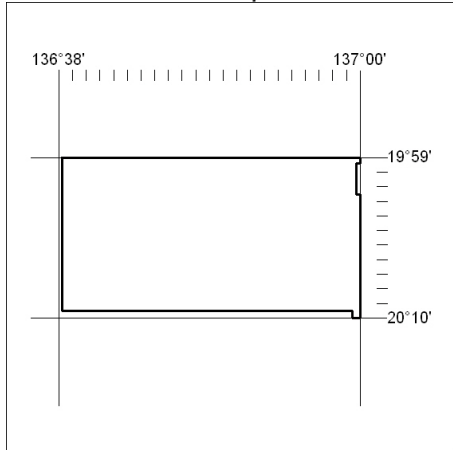
DARWIN

04 November 2009

Mining Act

NOTICE OF GRANT OF AN EXPLORATION LICENCE

Title Type and Number: Exploration Licence 27196
 Granted: 26 October 2009, for a period of 6 Years
 Area: 242 Blocks, 734.92 sq kms
 Locality: BARRY CAVES
 Name of Holder/s: 100% VALE AUSTRALIA EA PTY LTD [ACN. 081 724 101]



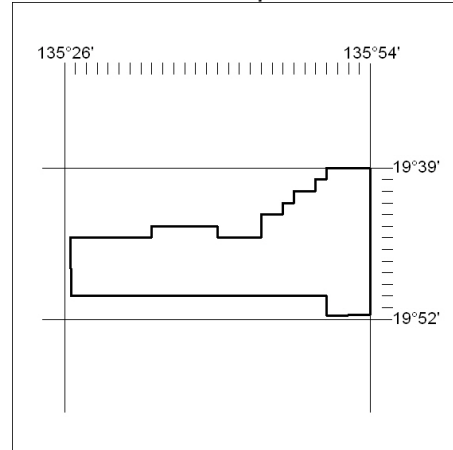
Area granted depicted above. Excluding therefrom all land that is subject of a mining tenement, or an application for a mining tenement made before the application for the grant of this licence, and excluding all land the subject of a reservation from occupation under the *Mining Act* and all land vested in the Commonwealth of Australia.

777/09

Mining Act

NOTICE OF GRANT OF AN EXPLORATION LICENCE

Title Type and Number: Exploration Licence 27200
 Granted: 26 October 2009, for a period of 6 Years
 Area: 198 Blocks, 626.67 sq kms
 Locality: DALMORE
 Name of Holder/s: 100% VALE AUSTRALIA EA PTY LTD [ACN. 081 724 101]



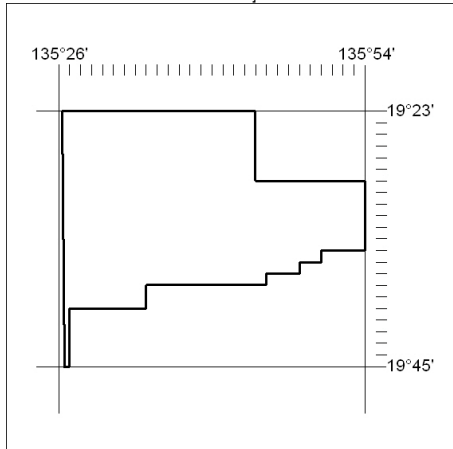
Area granted depicted above. Excluding therefrom all land that is subject of a mining tenement, or an application for a mining tenement made before the application for the grant of this licence, and excluding all land the subject of a reservation from occupation under the *Mining Act* and all land vested in the Commonwealth of Australia.

779/09

Mining Act

NOTICE OF GRANT OF AN EXPLORATION LICENCE

Title Type and Number: Exploration Licence 27197
 Granted: 26 October 2009, for a period of 6 Years
 Area: 362 Blocks, 1139.86 sq kms
 Locality: DALMORE
 Name of Holder/s: 100% VALE AUSTRALIA EA PTY LTD [ACN. 081 724 101]



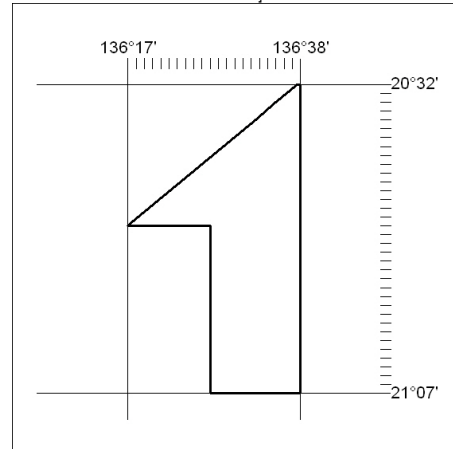
Area granted depicted above. Excluding therefrom all land that is subject of a mining tenement, or an application for a mining tenement made before the application for the grant of this licence, and excluding all land the subject of a reservation from occupation under the *Mining Act* and all land vested in the Commonwealth of Australia.

778/09

Mining Act

NOTICE OF GRANT OF AN EXPLORATION LICENCE

Title Type and Number: Exploration Licence 27203
 Granted: 26 October 2009, for a period of 6 Years
 Area: 397 Blocks, 1218.90 sq kms
 Locality: SCARR
 Name of Holder/s: 100% VALE AUSTRALIA EA PTY LTD [ACN. 081 724 101]



Area granted depicted above. Excluding therefrom all land that is subject of a mining tenement, or an application for a mining tenement made before the application for the grant of this licence, and excluding all land the subject of a reservation from occupation under the *Mining Act* and all land vested in the Commonwealth of Australia.

780/09



MN44/09

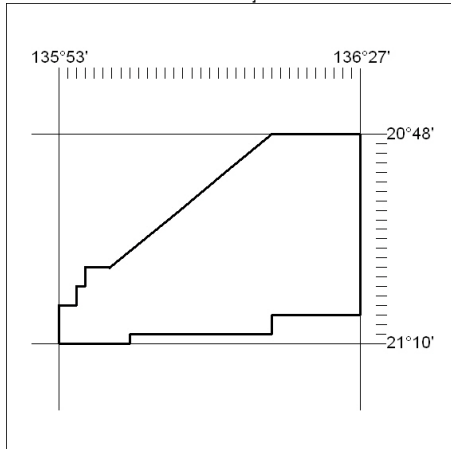
DARWIN

04 November 2009

Mining Act

NOTICE OF GRANT OF AN EXPLORATION LICENCE

Title Type and Number: Exploration Licence 27205
Granted: 26 October 2009, for a period of 6 Years
Area: 499 Blocks, 1549.46 sq kms
Locality: PROUT
Name of Holder/s: 100% VALE AUSTRALIA EA PTY LTD [ACN. 081 724 101]



Area granted depicted above. Excluding therefrom all land that is subject of a mining tenement, or an application for a mining tenement made before the application for the grant of this licence, and excluding all land the subject of a reservation from occupation under the *Mining Act* and all land vested in the Commonwealth of Australia.

781/09