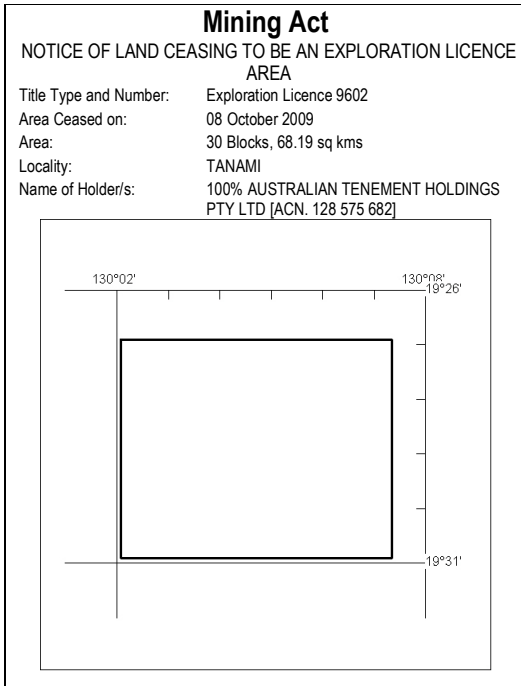




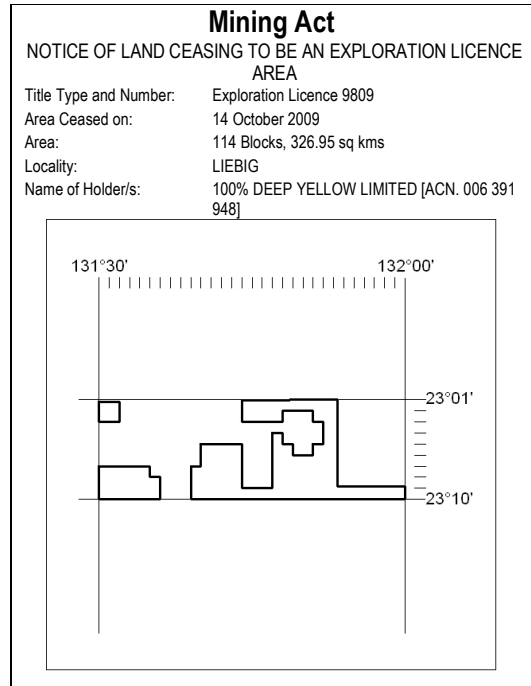
MN42/09

DARWIN

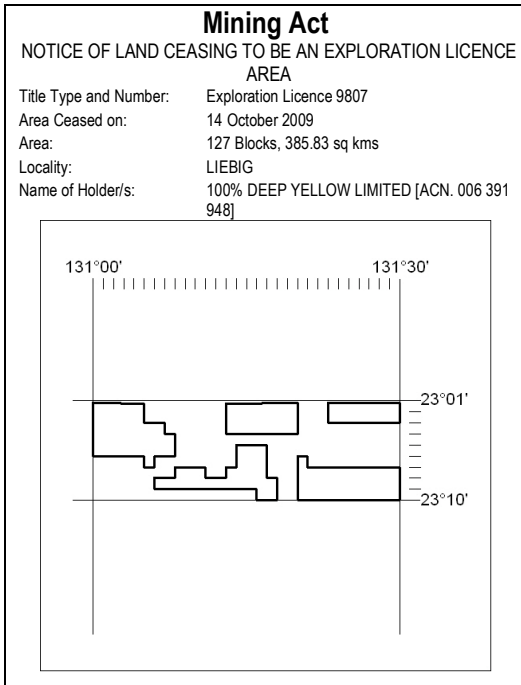
21 October 2009



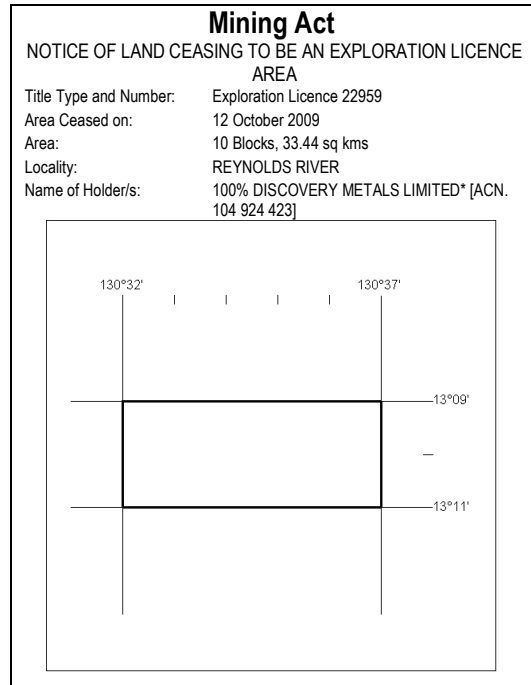
725/09



727/09



726/09



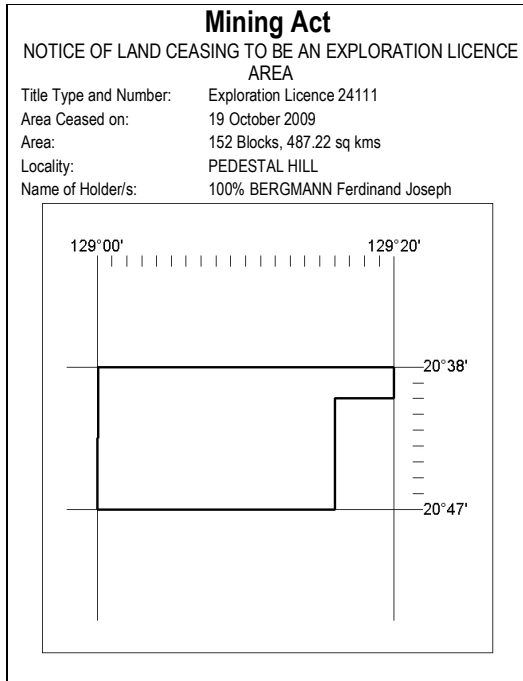
728/09



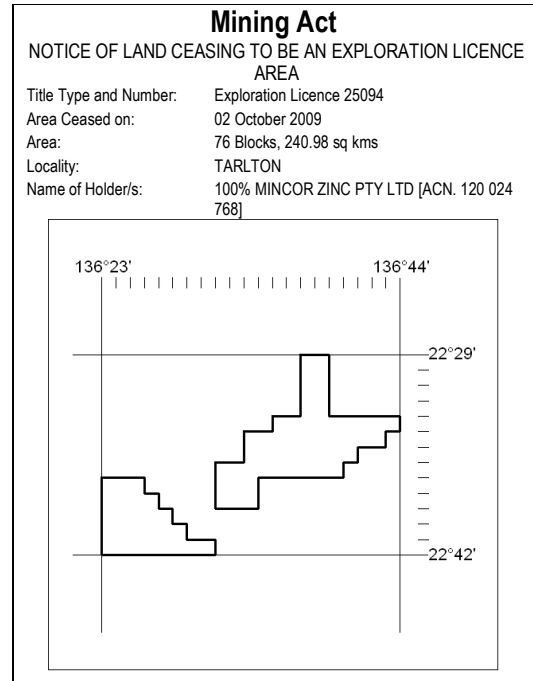
MN42/09

DARWIN

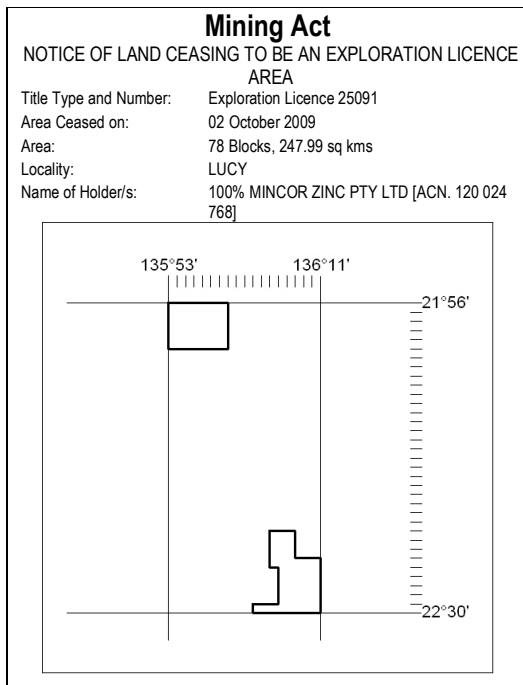
21 October 2009



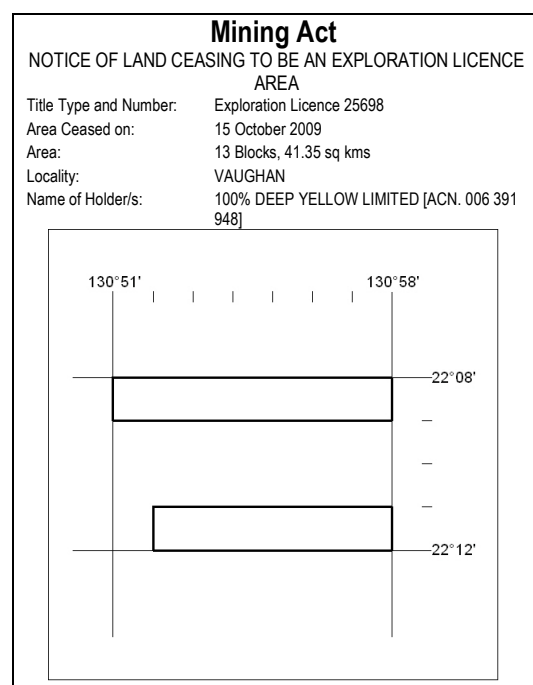
729/09



731/09



730/09



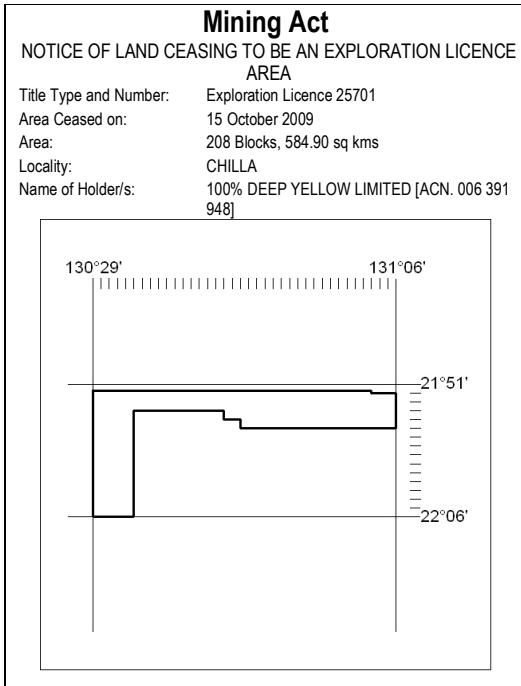
732/09



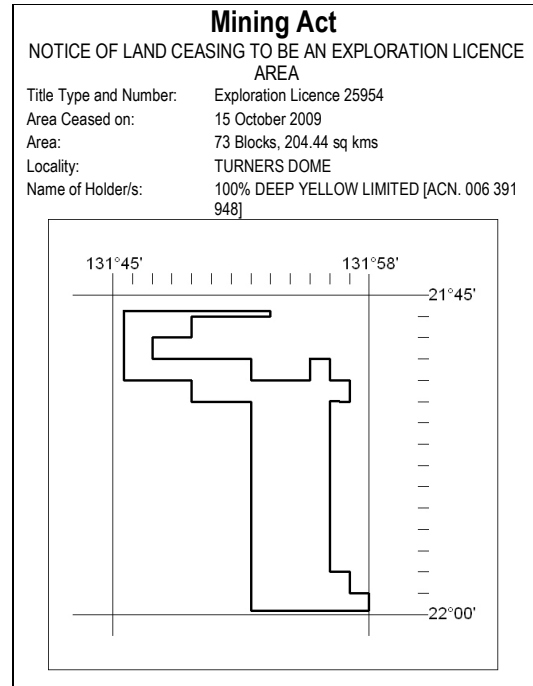
MN42/09

DARWIN

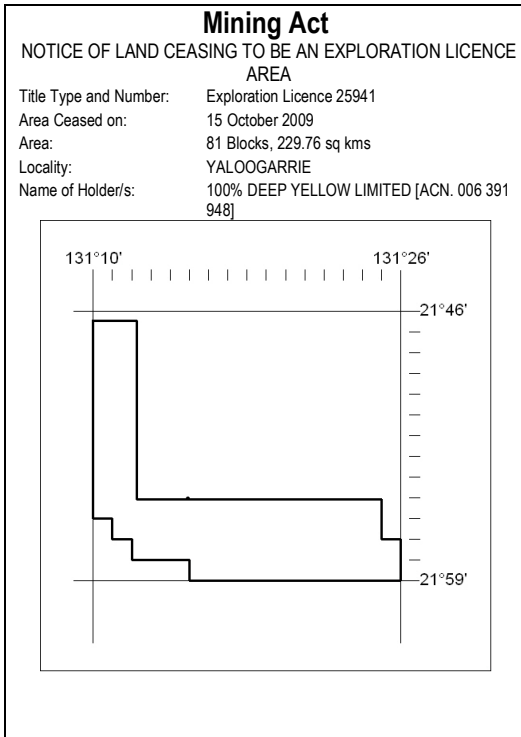
21 October 2009



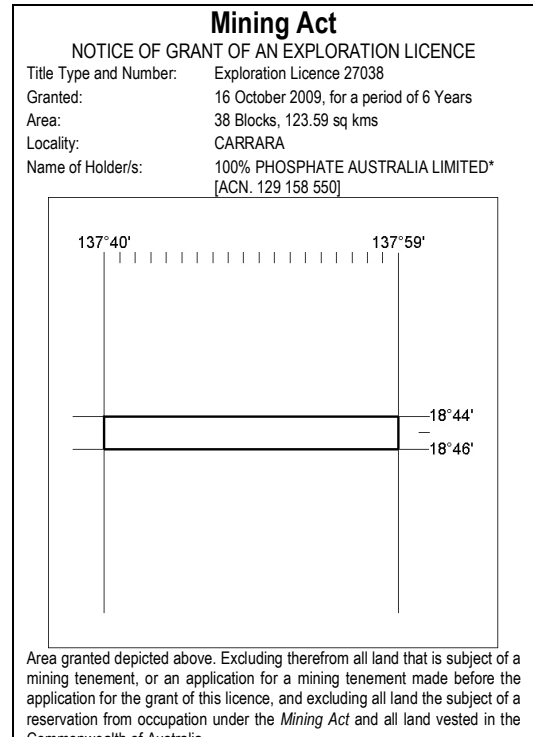
733/09



735/09



734/09



736/09



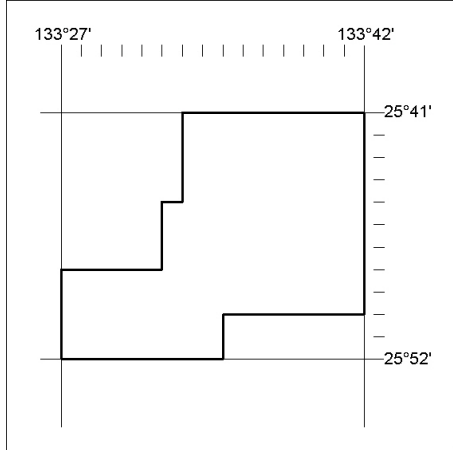
MN42/09

DARWIN

21 October 2009

Mining Act

NOTICE OF GRANT OF AN EXPLORATION LICENCE
 Title Type and Number: Exploration Licence 27071
 Granted: 12 October 2009, for a period of 6 Years
 Area: 112 Blocks, 346.39 sq kms
 Locality: UMBEARA
 Name of Holder/s: 100% ELSINORE NOMINEES PTY LTD [ACN. 008 954 292]

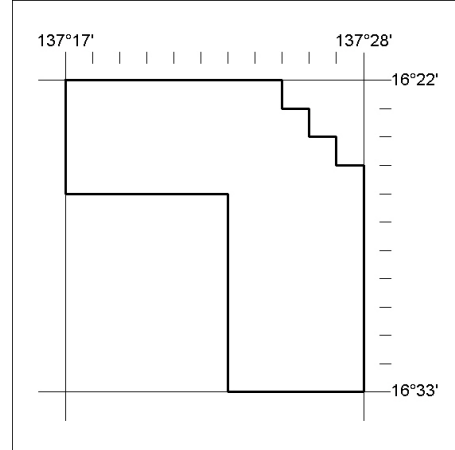


Area granted depicted above. Excluding therefrom all land that is subject of a mining tenement, or an application for a mining tenement made before the application for the grant of this licence, and excluding all land the subject of a reservation from occupation under the *Mining Act* and all land vested in the Commonwealth of Australia.

737/09

Mining Act

NOTICE OF GRANT OF AN EXPLORATION LICENCE
 Title Type and Number: Exploration Licence 27154
 Granted: 14 October 2009, for a period of 6 Years
 Area: 73 Blocks, 240.46 sq kms
 Locality: ROBINSON
 Name of Holder/s: 100% TERRITORY URANIUM COMPANY LTD* [ACN. 115 770 226]

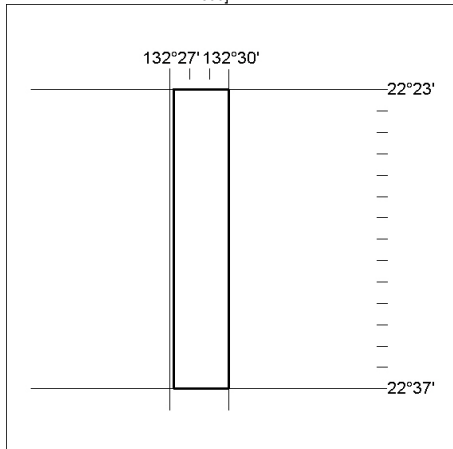


Area granted depicted above. Excluding therefrom all land that is subject of a mining tenement, or an application for a mining tenement made before the application for the grant of this licence, and excluding all land the subject of a reservation from occupation under the *Mining Act* and all land vested in the Commonwealth of Australia.

739/09

Mining Act

NOTICE OF GRANT OF AN EXPLORATION LICENCE
 Title Type and Number: Exploration Licence 27152
 Granted: 14 October 2009, for a period of 6 Years
 Area: 42 Blocks, 124.95 sq kms
 Locality: MOUNT WEDGE
 Name of Holder/s: 100% TORO ENERGY LIMITED [ACN. 117 127 590]

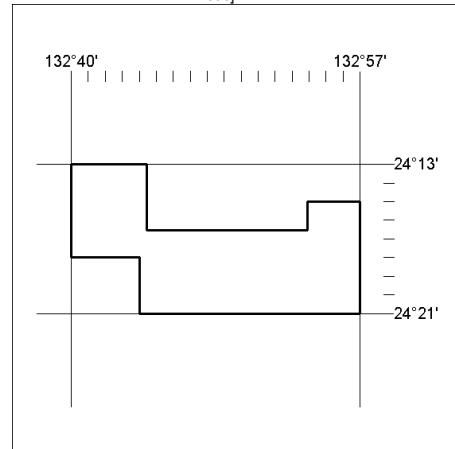


Area granted depicted above. Excluding therefrom all land that is subject of a mining tenement, or an application for a mining tenement made before the application for the grant of this licence, and excluding all land the subject of a reservation from occupation under the *Mining Act* and all land vested in the Commonwealth of Australia.

738/09

Mining Act

NOTICE OF GRANT OF AN EXPLORATION LICENCE
 Title Type and Number: Exploration Licence 27183
 Granted: 14 October 2009, for a period of 6 Years
 Area: 92 Blocks, 263.99 sq kms
 Locality: PALM VALLEY
 Name of Holder/s: 100% TORO ENERGY LIMITED [ACN. 117 127 590]



Area granted depicted above. Excluding therefrom all land that is subject of a mining tenement, or an application for a mining tenement made before the application for the grant of this licence, and excluding all land the subject of a reservation from occupation under the *Mining Act* and all land vested in the Commonwealth of Australia.

740/09



MN42/09

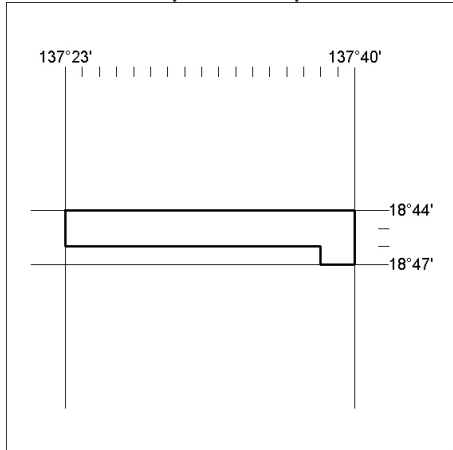
DARWIN

21 October 2009

Mining Act

NOTICE OF GRANT OF AN EXPLORATION LICENCE

Title Type and Number: Exploration Licence 27269
 Granted: 16 October 2009, for a period of 6 Years
 Area: 36 Blocks, 117.05 sq kms
 Locality: CARRARA
 Name of Holder/s: 100% PHOSPHATE AUSTRALIA LIMITED*
 [ACN. 129 158 550]



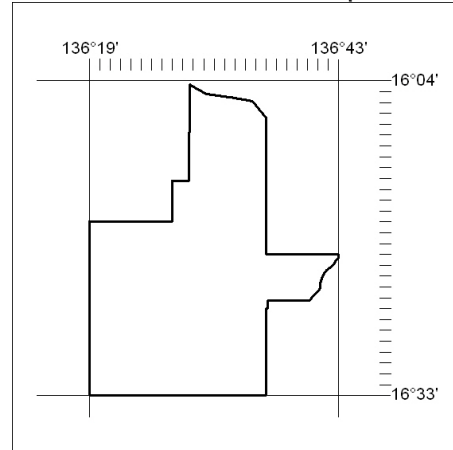
Area granted depicted above. Excluding therefrom all land that is subject of a mining tenement, or an application for a mining tenement made before the application for the grant of this licence, and excluding all land the subject of a reservation from occupation under the *Mining Act* and all land vested in the Commonwealth of Australia.

741/09

Mining Act

NOTICE OF GRANT OF AN EXPLORATION LICENCE

Title Type and Number: Exploration Licence 27305
 Granted: 13 October 2009, for a period of 6 Years
 Area: 404 Blocks, 1274.00 sq kms
 Locality: BORROLOOLA
 Name of Holder/s: 100% UNIVERSAL SPLENDOUR INVESTMENTS PTY LTD [ACN. 132 522 715]



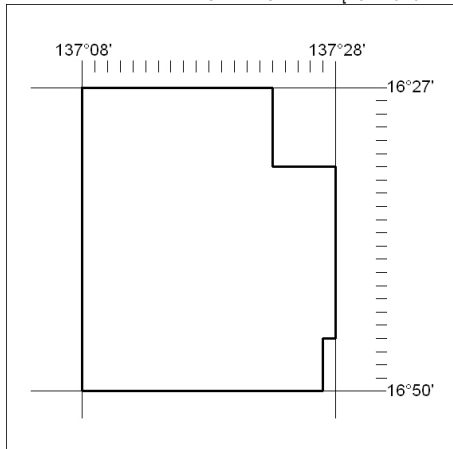
Area granted depicted above. Excluding therefrom all land that is subject of a mining tenement, or an application for a mining tenement made before the application for the grant of this licence, and excluding all land the subject of a reservation from occupation under the *Mining Act* and all land vested in the Commonwealth of Australia.

743/09

Mining Act

NOTICE OF GRANT OF AN EXPLORATION LICENCE

Title Type and Number: Exploration Licence 27304
 Granted: 13 October 2009, for a period of 6 Years
 Area: 426 Blocks, 1402.00 sq kms
 Locality: PUNGALINA
 Name of Holder/s: 100% UNIVERSAL SPLENDOUR INVESTMENTS PTY LTD [ACN. 132 522 715]



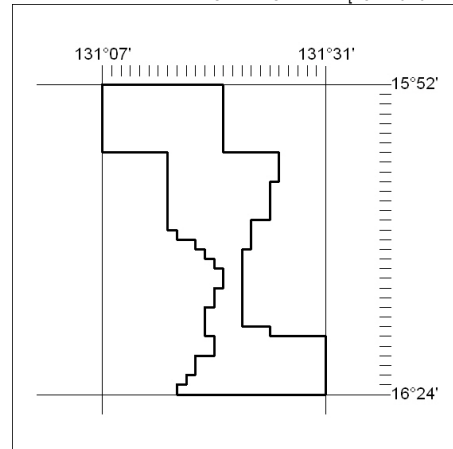
Area granted depicted above. Excluding therefrom all land that is subject of a mining tenement, or an application for a mining tenement made before the application for the grant of this licence, and excluding all land the subject of a reservation from occupation under the *Mining Act* and all land vested in the Commonwealth of Australia.

742/09

Mining Act

NOTICE OF GRANT OF AN EXPLORATION LICENCE

Title Type and Number: Exploration Licence 27306
 Granted: 13 October 2009, for a period of 6 Years
 Area: 309 Blocks, 1020.00 sq kms
 Locality: VICTORIA RIVER DOWNS
 Name of Holder/s: 100% UNIVERSAL SPLENDOUR INVESTMENTS PTY LTD [ACN. 132 522 715]



Area granted depicted above. Excluding therefrom all land that is subject of a mining tenement, or an application for a mining tenement made before the application for the grant of this licence, and excluding all land the subject of a reservation from occupation under the *Mining Act* and all land vested in the Commonwealth of Australia.

744/09



MN42/09

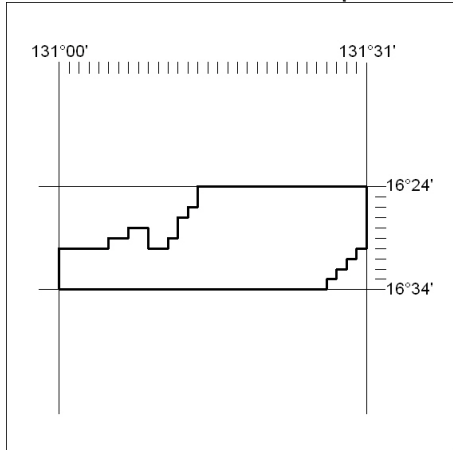
DARWIN

21 October 2009

Mining Act

NOTICE OF GRANT OF AN EXPLORATION LICENCE

Title Type and Number: Exploration Licence 27307
 Granted: 13 October 2009, for a period of 6 Years
 Area: 230 Blocks, 757.70 sq kms
 Locality: VICTORIA RIVER DOWNS
 Name of Holder/s: 100% UNIVERSAL SPLENDOUR INVESTMENTS PTY LTD [ACN. 132 522 715]



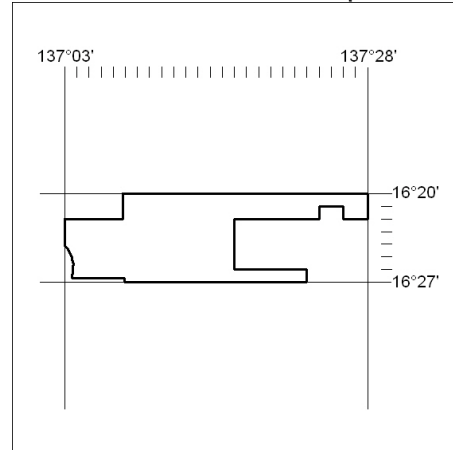
Area granted depicted above. Excluding therefrom all land that is subject of a mining tenement, or an application for a mining tenement made before the application for the grant of this licence, and excluding all land the subject of a reservation from occupation under the *Mining Act* and all land vested in the Commonwealth of Australia.

745/09

Mining Act

NOTICE OF GRANT OF AN EXPLORATION LICENCE

Title Type and Number: Exploration Licence 27309
 Granted: 13 October 2009, for a period of 6 Years
 Area: 116 Blocks, 367.20 sq kms
 Locality: ROBINSON
 Name of Holder/s: 100% UNIVERSAL SPLENDOUR INVESTMENTS PTY LTD [ACN. 132 522 715]



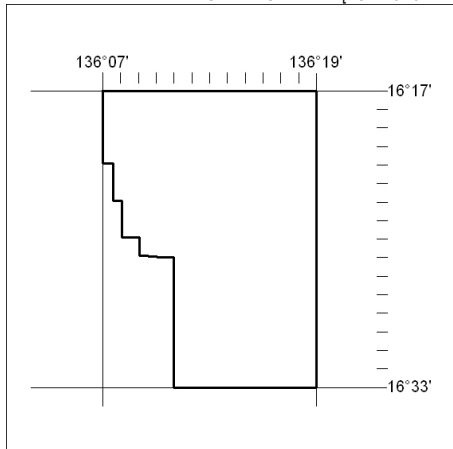
Area granted depicted above. Excluding therefrom all land that is subject of a mining tenement, or an application for a mining tenement made before the application for the grant of this licence, and excluding all land the subject of a reservation from occupation under the *Mining Act* and all land vested in the Commonwealth of Australia.

747/09

Mining Act

NOTICE OF GRANT OF AN EXPLORATION LICENCE

Title Type and Number: Exploration Licence 27308
 Granted: 13 October 2009, for a period of 6 Years
 Area: 160 Blocks, 521.84 sq kms
 Locality: BORROLOOLA
 Name of Holder/s: 100% UNIVERSAL SPLENDOUR INVESTMENTS PTY LTD [ACN. 132 522 715]



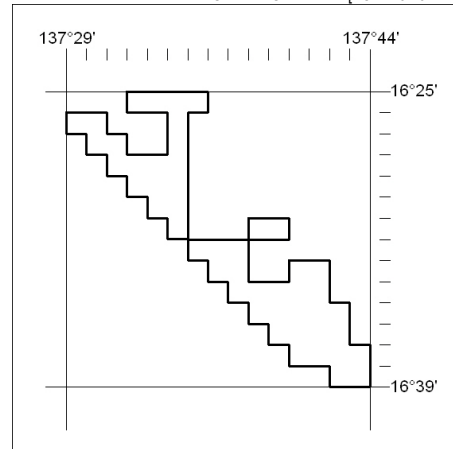
Area granted depicted above. Excluding therefrom all land that is subject of a mining tenement, or an application for a mining tenement made before the application for the grant of this licence, and excluding all land the subject of a reservation from occupation under the *Mining Act* and all land vested in the Commonwealth of Australia.

746/09

Mining Act

NOTICE OF GRANT OF AN EXPLORATION LICENCE

Title Type and Number: Exploration Licence 27310
 Granted: 13 October 2009, for a period of 6 Years
 Area: 49 Blocks, 161.20 sq kms
 Locality: SELBY
 Name of Holder/s: 100% UNIVERSAL SPLENDOUR INVESTMENTS PTY LTD [ACN. 132 522 715]



Area granted depicted above. Excluding therefrom all land that is subject of a mining tenement, or an application for a mining tenement made before the application for the grant of this licence, and excluding all land the subject of a reservation from occupation under the *Mining Act* and all land vested in the Commonwealth of Australia.

748/09



MN42/09

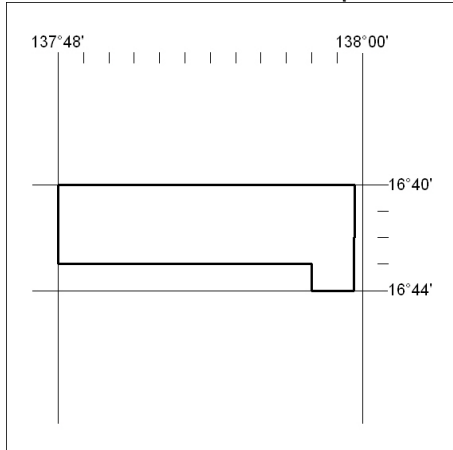
DARWIN

21 October 2009

Mining Act

NOTICE OF GRANT OF AN EXPLORATION LICENCE

Title Type and Number: Exploration Licence 27311
 Granted: 13 October 2009, for a period of 6 Years
 Area: 38 Blocks, 120.70 sq kms
 Locality: SELBY
 Name of Holder/s: 100% UNIVERSAL SPLENDOUR INVESTMENTS PTY LTD [ACN. 132 522 715]



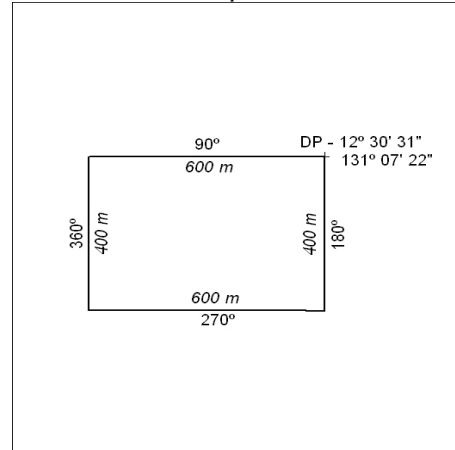
Area granted depicted above. Excluding therefrom all land that is subject of a mining tenement, or an application for a mining tenement made before the application for the grant of this licence, and excluding all land the subject of a reservation from occupation under the *Mining Act* and all land vested in the Commonwealth of Australia.

749/09

Mining Act

NOTICE OF GRANT OF A MINING TENEMENT

Title Type and Number: Extractive Mineral Permit (Northern) 1297
 Granted: 07 October 2009, for a period of 2 Years
 Area: 24.00 Hectares
 Locality: NOONAMAH
 Name of Holder/s: 100% OSTOJIC GROUP PTY LTD* [ACN. 009 629 805]

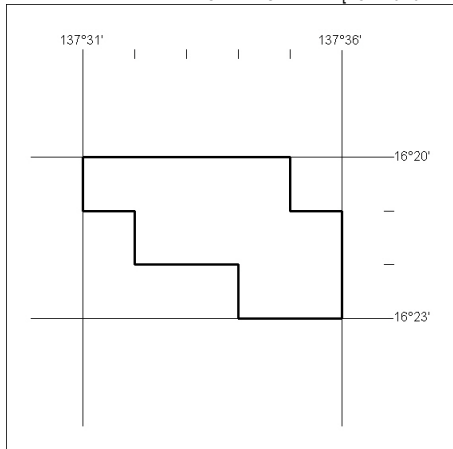


751/09

Mining Act

NOTICE OF GRANT OF AN EXPLORATION LICENCE

Title Type and Number: Exploration Licence 27312
 Granted: 13 October 2009, for a period of 6 Years
 Area: 10 Blocks, 32.95 sq kms
 Locality: CALVERT RIVER
 Name of Holder/s: 100% UNIVERSAL SPLENDOUR INVESTMENTS PTY LTD [ACN. 132 522 715]



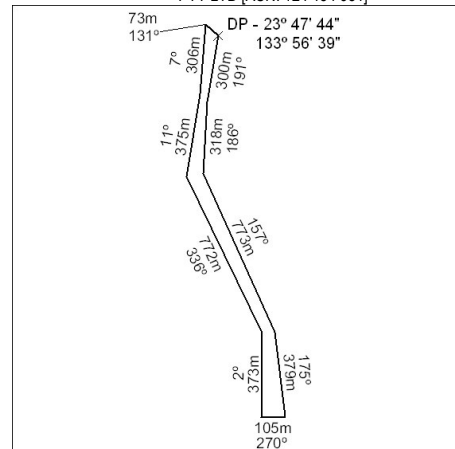
Area granted depicted above. Excluding therefrom all land that is subject of a mining tenement, or an application for a mining tenement made before the application for the grant of this licence, and excluding all land the subject of a reservation from occupation under the *Mining Act* and all land vested in the Commonwealth of Australia.

750/09

Mining Act

NOTICE OF GRANT OF A MINING TENEMENT

Title Type and Number: Extractive Mineral Permit 27277
 Granted: 09 October 2009, for a period of 2 Years
 Area: 10.00 Hectares
 Locality: ALICE SPRINGS
 Name of Holder/s: 100% REMOTE CONTRACTING SERVICES PTY LTD [ACN. 124 154 981]



752/09



MN42/09

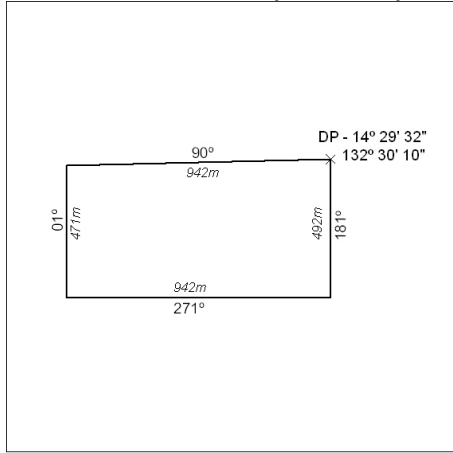
DARWIN

21 October 2009

Mining Act

NOTICE OF GRANT OF A MINING TENEMENT

Title Type and Number: Extractive Mineral Permit 27344
 Granted: 13 October 2009, for a period of 2 Years
 Area: 46.00 Hectares
 Locality: KATHERINE
 Name of Holder/s: 100% SUFFREN CONTRACTING & PLANT HIRE PTY LTD [ACN. 084 267 596]

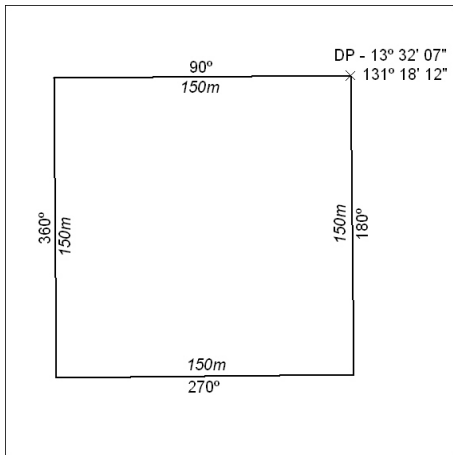


753/09

Mining Act

NOTICE OF GRANT OF A MINING TENEMENT

Title Type and Number: Mineral Claim 24456
 Granted: 07 October 2009, for a period of 10 Years
 Area: 3.00 Hectares
 Locality: TIPPERARY
 Name of Holder/s: 100% MCLAUGHLIN Dehne



754/09