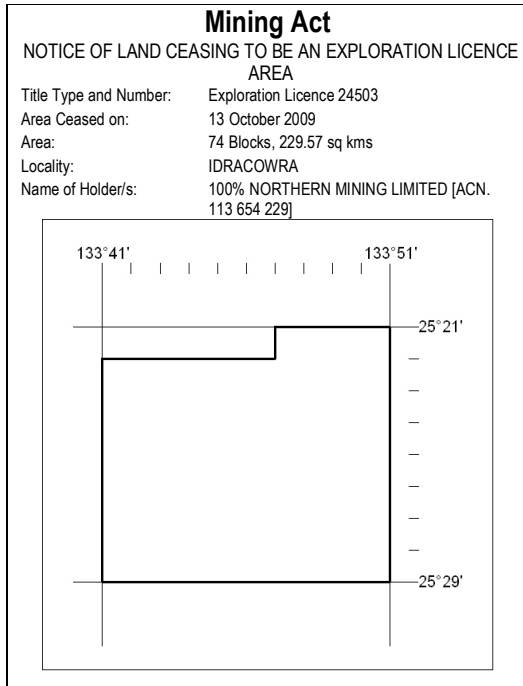




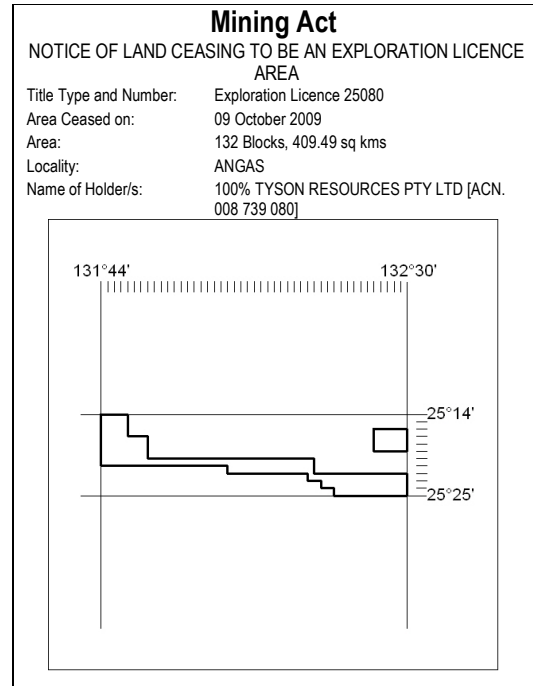
MN41/09

DARWIN

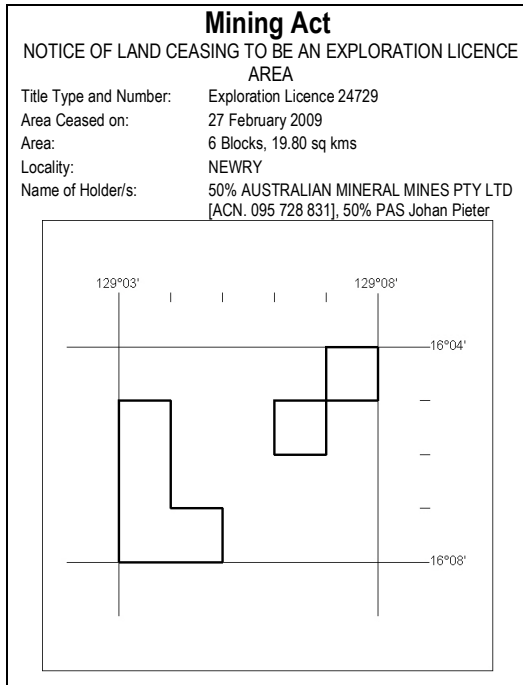
14 October 2009



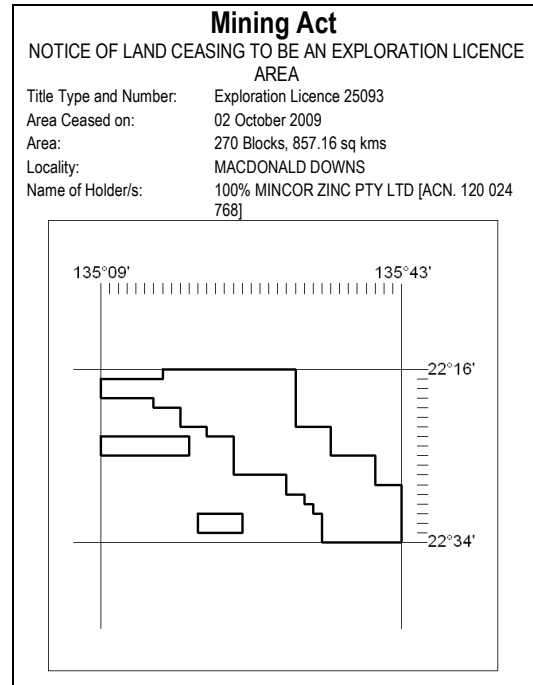
711/09



713/09



712/09



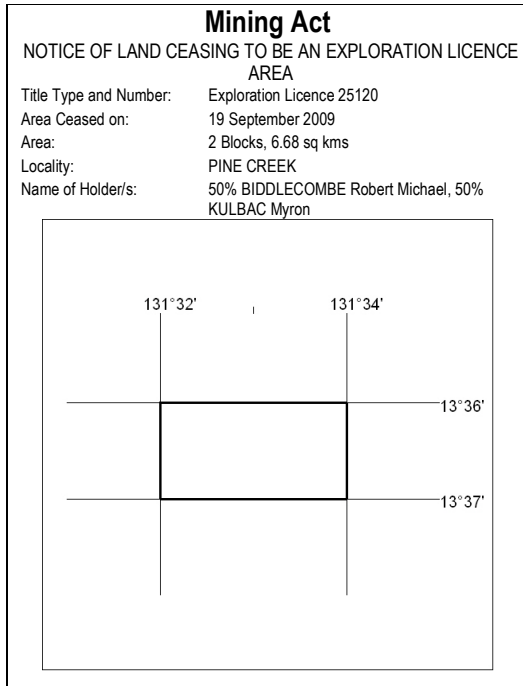
714/09



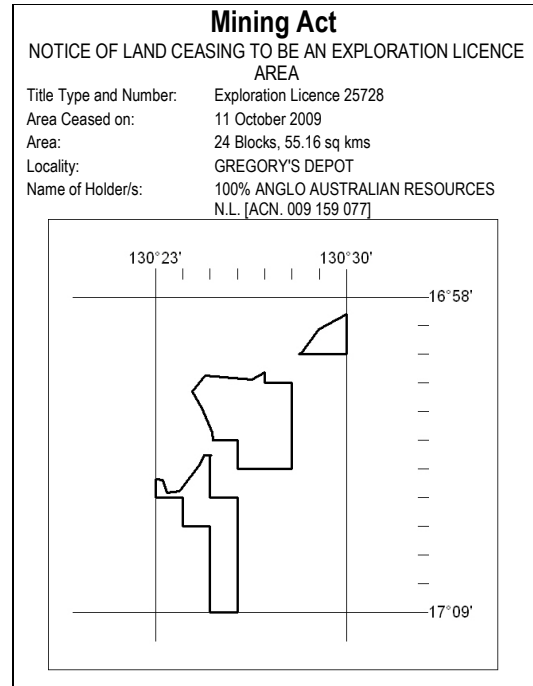
MN41/09

DARWIN

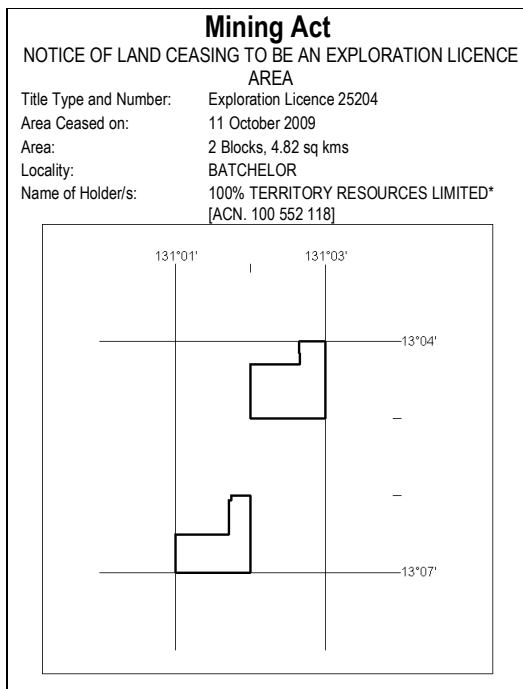
14 October 2009



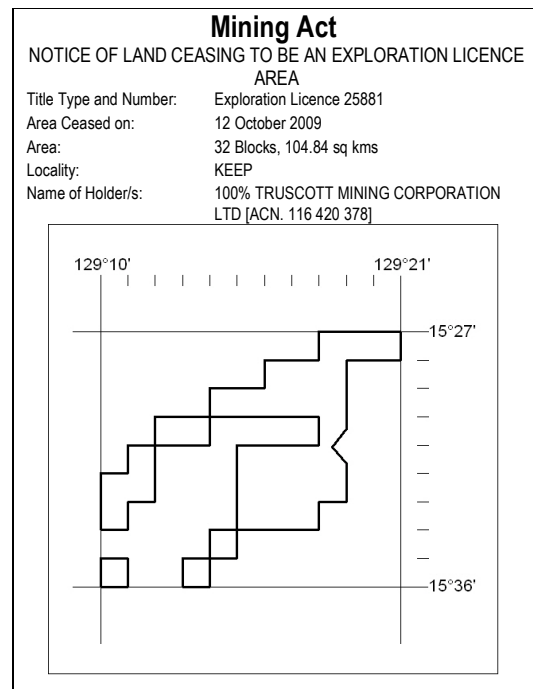
715/09



717/09



716/09



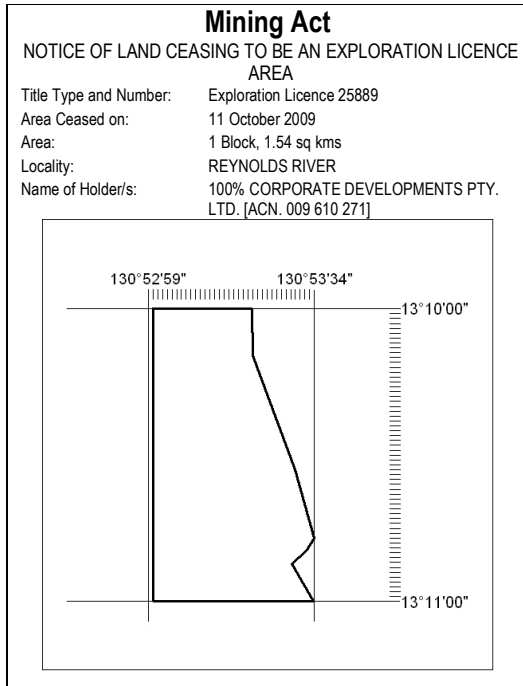
718/09



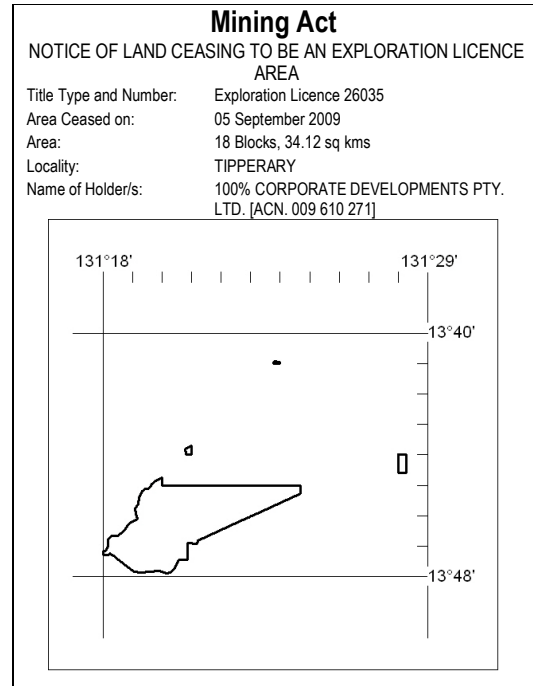
MN41/09

DARWIN

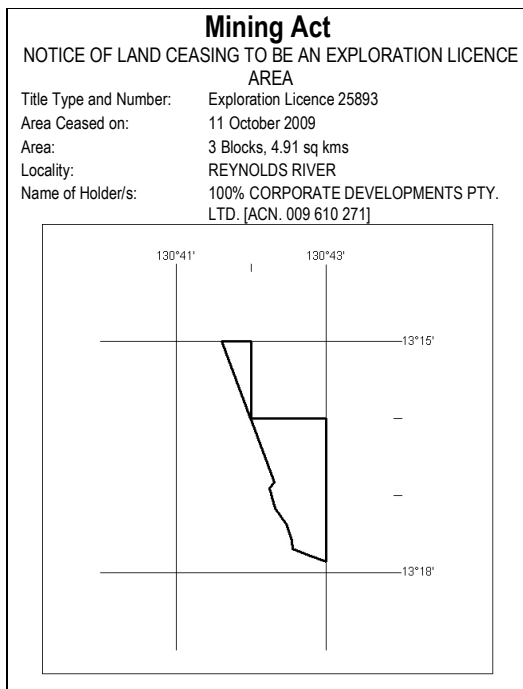
14 October 2009



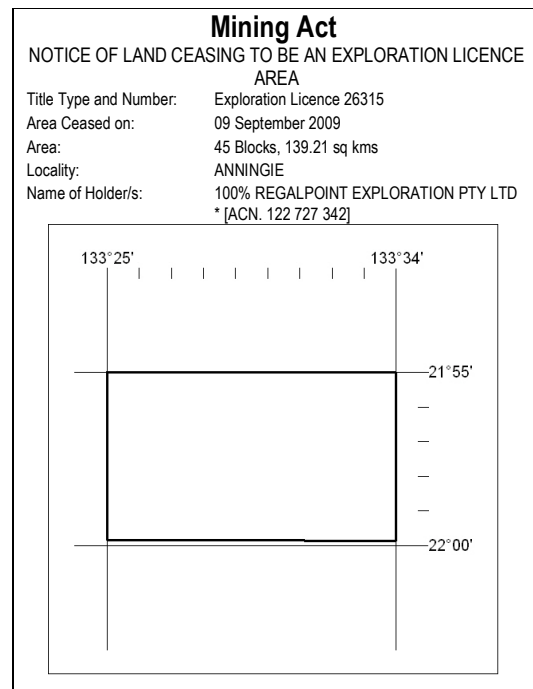
719/09



721/09



720/09



722/09



MN41/09

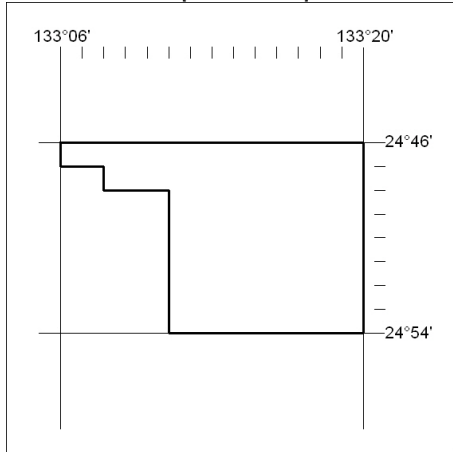
DARWIN

14 October 2009

Mining Act

NOTICE OF LAND CEASING TO BE AN EXPLORATION LICENCE AREA

Title Type and Number: Exploration Licence 26317
Area Ceased on: 09 September 2009
Area: 80 Blocks, 249.31 sq kms
Locality: HENBURY
Name of Holder/s: 100% REGALPOINT EXPLORATION PTY LTD
* [ACN. 122 727 342]

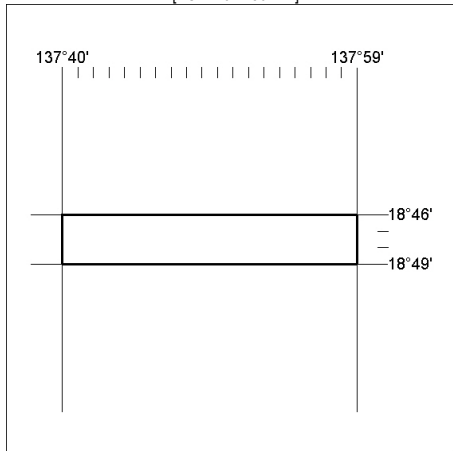


723/09

Mining Act

NOTICE OF GRANT OF AN EXPLORATION LICENCE

Title Type and Number: Exploration Licence 27037
Granted: 07 October 2009, for a period of 6 Years
Area: 57 Blocks, 185.33 sq kms
Locality: CARRARA
Name of Holder/s: 100% MANTLE MINING CORPORATION LTD
[ACN. 107 180 441]



Area granted depicted above. Excluding therefrom all land that is subject of a mining tenement, or an application for a mining tenement made before the application for the grant of this licence, and excluding all land the subject of a reservation from occupation under the *Mining Act* and all land vested in the Commonwealth of Australia.

724/09