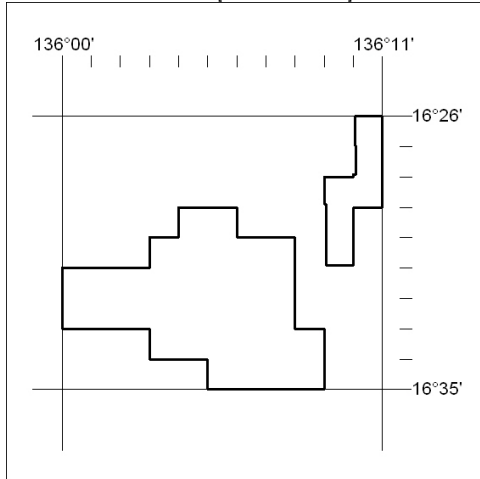




Mining Act

NOTICE OF LAND CEASING TO BE AN EXPLORATION LICENCE AREA

Title Type and Number: Exploration Licence 23515
 Area Ceased on: 04 July 2009
 Area: 39 Blocks, 127.17 sq kms
 Locality: GLYDE
 Name of Holder/s: 100% LEGEND INTERNATIONAL HOLDINGS, INC. [ACN. 120 855 352]

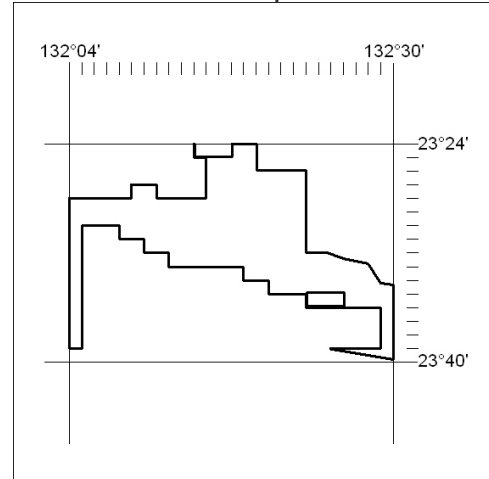


462/09

Mining Act

NOTICE OF LAND CEASING TO BE AN EXPLORATION LICENCE AREA

Title Type and Number: Exploration Licence 24948
 Area Ceased on: 03 July 2009
 Area: 161 Blocks, 453.14 sq kms
 Locality: GOSES BLUFF
 Name of Holder/s: 100% NORTHERN MINING LIMITED [ACN. 113 654 229]

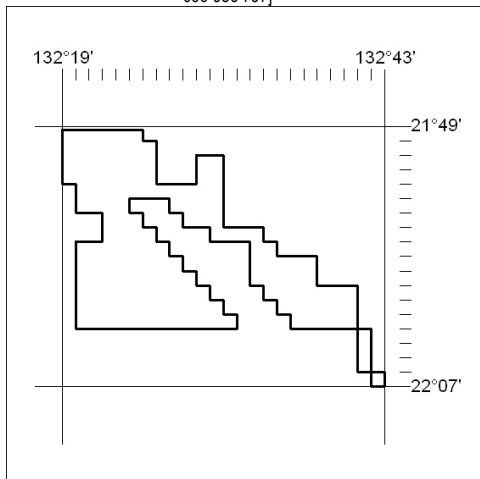


464/09

Mining Act

NOTICE OF LAND CEASING TO BE AN EXPLORATION LICENCE AREA

Title Type and Number: Exploration Licence 23655
 Area Ceased on: 12 June 2009
 Area: 155 Blocks, 489.51 sq kms
 Locality: GILES
 Name of Holder/s: 100% SELECT RESOURCES PTY. LTD. [ACN. 099 956 797]

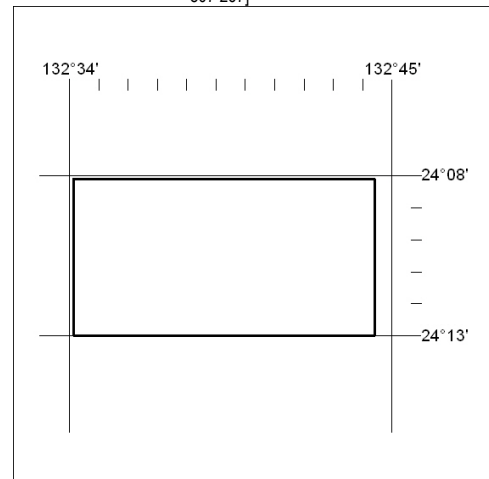


463/09

Mining Act

NOTICE OF LAND CEASING TO BE AN EXPLORATION LICENCE AREA

Title Type and Number: Exploration Licence 25487
 Area Ceased on: 01 July 2009
 Area: 55 Blocks, 157.31 sq kms
 Locality: PALM VALLEY
 Name of Holder/s: 100% FERMI URANIUM PTY LTD [ACN. 120 807 267]



465/09



MN27/09

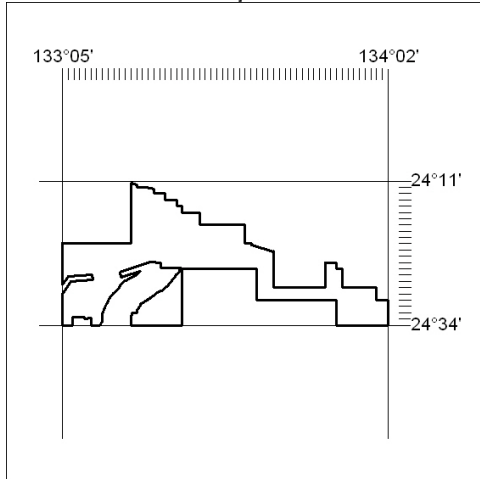
DARWIN

08 July 2009

Mining Act

NOTICE OF LAND CEASING TO BE AN EXPLORATION LICENCE AREA

Title Type and Number: Exploration Licence 25488
 Area Ceased on: 01 July 2009
 Area: 492 Blocks, 1459.38 sq kms
 Locality: JAMES
 Name of Holder/s: 100% FERMI URANIUM PTY LTD [ACN. 120 807 267]

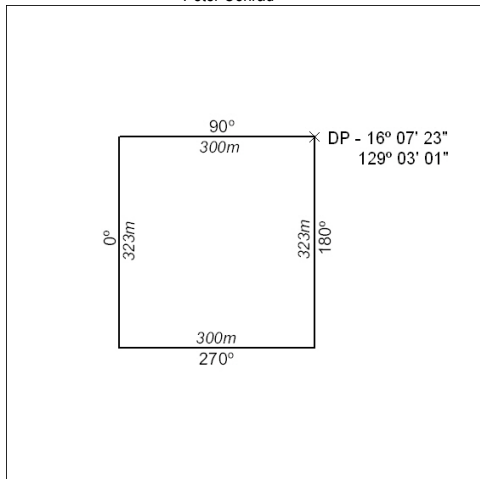


466/09

Mining Act

NOTICE OF GRANT OF A MINING TENEMENT

Title Type and Number: Extractive Mineral Permit 27074
 Granted: 01 July 2009, for a period of 2 Years
 Area: 9.70 Hectares
 Locality: NEWRY
 Name of Holder/s: 70% DUNCAN Ruth Ann, 30% VANDENBERG Peter Conrad



467/09