



**MN26/09**

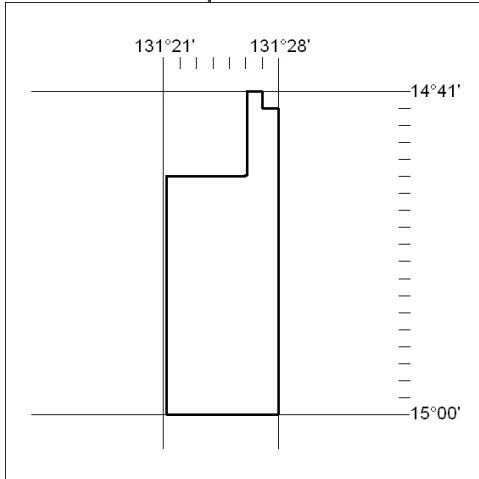
**DARWIN**

**01 July 2009**

## Mining Act

### NOTICE OF LAND CEASING TO BE AN EXPLORATION LICENCE AREA

Title Type and Number: Exploration Licence 25534  
 Area Ceased on: 22 June 2009  
 Area: 107 Blocks, 345.68 sq kms  
 Locality: FLORA  
 Name of Holder/s: 100% KETTLE ROSE PTY LTD [ACN. 119 016 330]

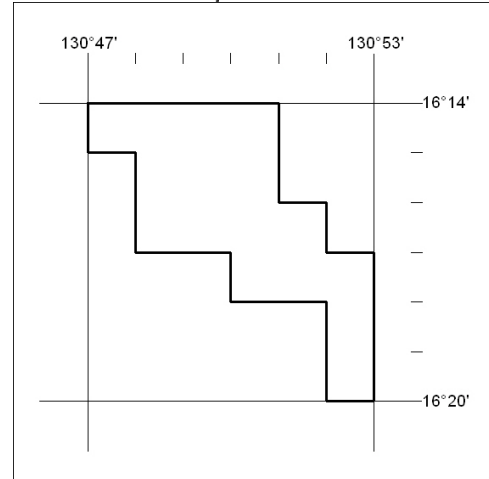


449/09

## Mining Act

### NOTICE OF LAND CEASING TO BE AN EXPLORATION LICENCE AREA

Title Type and Number: Exploration Licence 25541  
 Area Ceased on: 22 June 2009  
 Area: 16 Blocks, 52.75 sq kms  
 Locality: HUMBERT  
 Name of Holder/s: 100% KETTLE ROSE PTY LTD [ACN. 119 016 330]

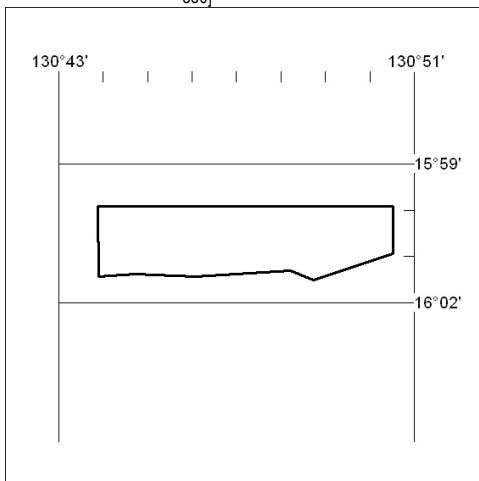


451/09

## Mining Act

### NOTICE OF LAND CEASING TO BE AN EXPLORATION LICENCE AREA

Title Type and Number: Exploration Licence 25538  
 Area Ceased on: 22 June 2009  
 Area: 24 Blocks, 31.47 sq kms  
 Locality: HUMBERT  
 Name of Holder/s: 100% KETTLE ROSE PTY LTD [ACN. 119 016 330]

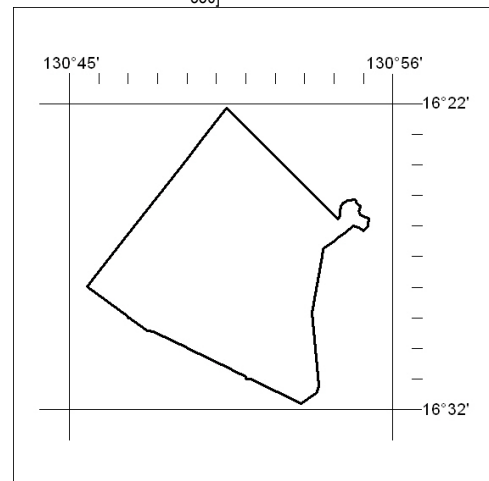


450/09

## Mining Act

### NOTICE OF LAND CEASING TO BE AN EXPLORATION LICENCE AREA

Title Type and Number: Exploration Licence 25542  
 Area Ceased on: 22 June 2009  
 Area: 66 Blocks, 151.13 sq kms  
 Locality: HUMBERT  
 Name of Holder/s: 100% KETTLE ROSE PTY LTD [ACN. 119 016 330]



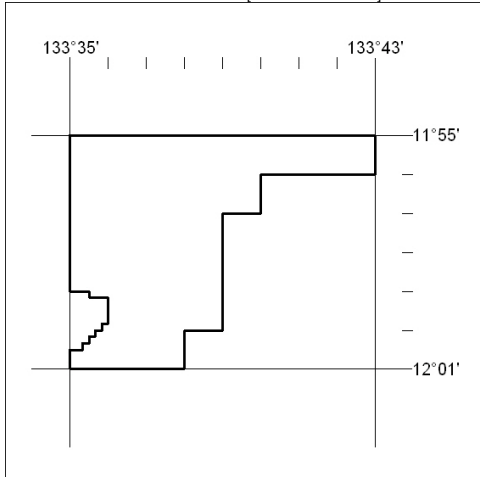
452/09



## Mining Act

### NOTICE OF GRANT OF AN EXPLORATION LICENCE

Title Type and Number: Exploration Licence 23972  
 Granted: 16 June 2009, for a period of 2 Years  
 Area: 28 Blocks, 90.25 sq kms  
 Locality: JUNCTION BAY  
 Name of Holder/s: 100% RIO TINTO EXPLORATION PTY LIMITED [ACN. 000 057 125]



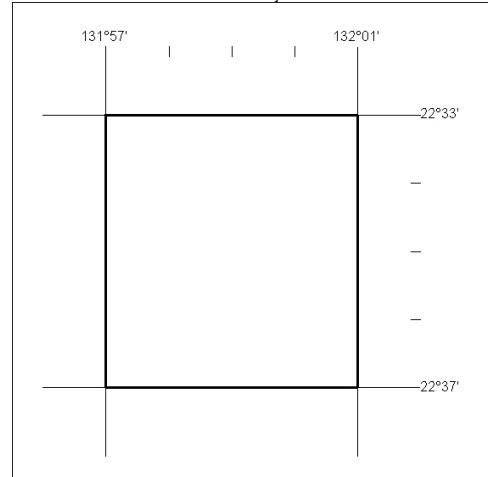
Area granted depicted above. Excluding therefrom all land that is subject of a mining tenement, or an application for a mining tenement made before the application for the grant of this licence, and excluding all land the subject of a reservation from occupation under the *Mining Act* and all land vested in the Commonwealth of Australia.

453/09

## Mining Act

### NOTICE OF GRANT OF AN EXPLORATION LICENCE

Title Type and Number: Exploration Licence 24561  
 Granted: 22 June 2009, for a period of 6 Years  
 Area: 16 Blocks, 50.74 sq kms  
 Locality: SIDDELEY  
 Name of Holder/s: 100% ALDERSHOT RESOURCES LTD. [ACN. 108 776 549]



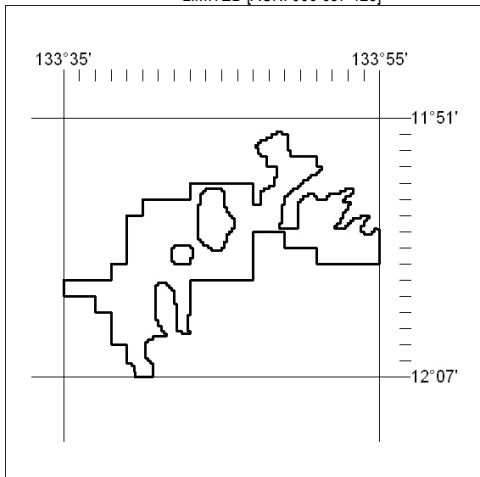
Area granted depicted above. Excluding therefrom all land that is subject of a mining tenement, or an application for a mining tenement made before the application for the grant of this licence, and excluding all land the subject of a reservation from occupation under the *Mining Act* and all land vested in the Commonwealth of Australia.

455/09

## Mining Act

### NOTICE OF GRANT OF AN EXPLORATION LICENCE

Title Type and Number: Exploration Licence 24108  
 Granted: 16 June 2009, for a period of 2 Years  
 Area: 113 Blocks, 290.97 sq kms  
 Locality: JUNCTION BAY  
 Name of Holder/s: 100% RIO TINTO EXPLORATION PTY LIMITED [ACN. 000 057 125]



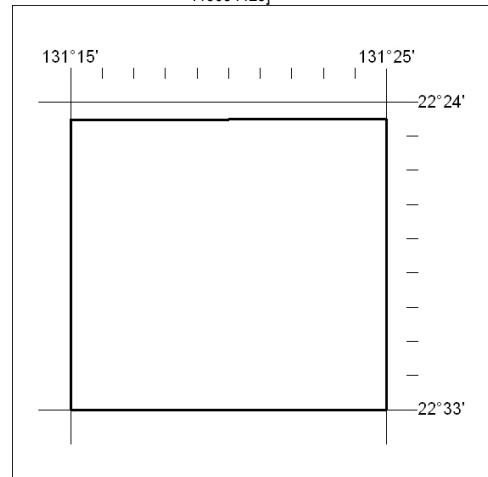
Area granted depicted above. Excluding therefrom all land that is subject of a mining tenement, or an application for a mining tenement made before the application for the grant of this licence, and excluding all land the subject of a reservation from occupation under the *Mining Act* and all land vested in the Commonwealth of Australia.

454/09

## Mining Act

### NOTICE OF GRANT OF AN EXPLORATION LICENCE

Title Type and Number: Exploration Licence 25283  
 Granted: 22 June 2009, for a period of 6 Years  
 Area: 90 Blocks, 269.20 sq kms  
 Locality: DOREEN  
 Name of Holder/s: 100% ELEMENT 92 PTY LTD [ACN. 119094423]



Area granted depicted above. Excluding therefrom all land that is subject of a mining tenement, or an application for a mining tenement made before the application for the grant of this licence, and excluding all land the subject of a reservation from occupation under the *Mining Act* and all land vested in the Commonwealth of Australia.

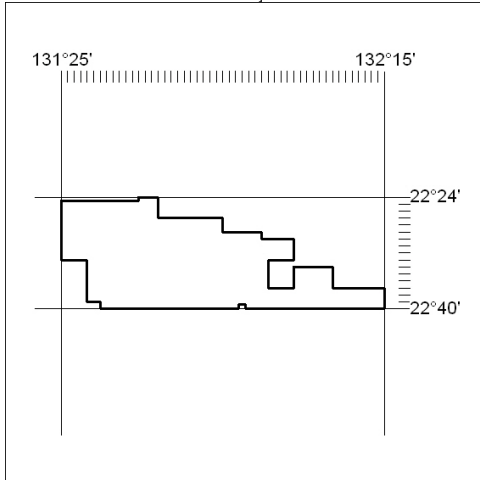
456/09



## Mining Act

### NOTICE OF GRANT OF AN EXPLORATION LICENCE

Title Type and Number: Exploration Licence 25334  
 Granted: 22 June 2009, for a period of 6 Years  
 Area: 500 Blocks, 1566.00 sq kms  
 Locality: SIDDELEY  
 Name of Holder/s: 100% ELEMENT 92 PTY LTD [ACN. 119094423]



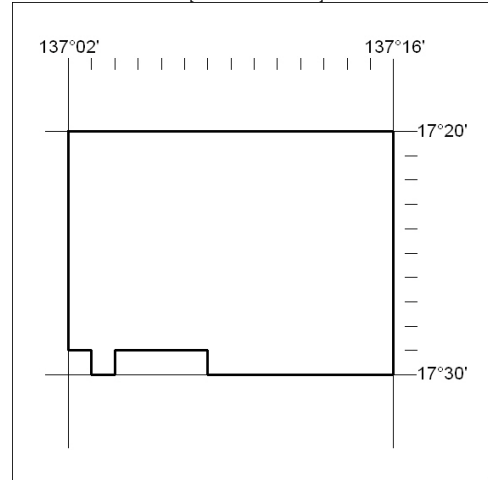
Area granted depicted above. Excluding therefrom all land that is subject of a mining tenement, or an application for a mining tenement made before the application for the grant of this licence, and excluding all land the subject of a reservation from occupation under the *Mining Act* and all land vested in the Commonwealth of Australia.

457/09

## Mining Act

### NOTICE OF GRANT OF AN EXPLORATION LICENCE

Title Type and Number: Exploration Licence 26999  
 Granted: 18 June 2009, for a period of 6 Years  
 Area: 135 Blocks, 442.20 sq kms  
 Locality: CALVERT HILLS  
 Name of Holder/s: 100% REDBANK OPERATIONS PTY LTD\* [ACN. 109 362 165]



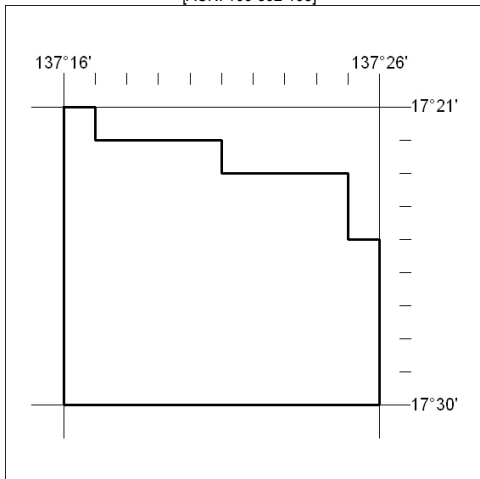
Area granted depicted above. Excluding therefrom all land that is subject of a mining tenement, or an application for a mining tenement made before the application for the grant of this licence, and excluding all land the subject of a reservation from occupation under the *Mining Act* and all land vested in the Commonwealth of Australia.

459/09

## Mining Act

### NOTICE OF GRANT OF AN EXPLORATION LICENCE

Title Type and Number: Exploration Licence 26965  
 Granted: 18 June 2009, for a period of 6 Years  
 Area: 74 Blocks, 242.50 sq kms  
 Locality: CALVERT HILLS  
 Name of Holder/s: 100% REDBANK OPERATIONS PTY LTD\* [ACN. 109 362 165]



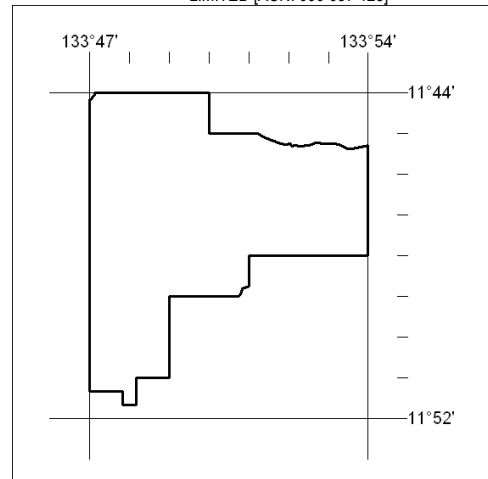
Area granted depicted above. Excluding therefrom all land that is subject of a mining tenement, or an application for a mining tenement made before the application for the grant of this licence, and excluding all land the subject of a reservation from occupation under the *Mining Act* and all land vested in the Commonwealth of Australia.

458/09

## Mining Act

### NOTICE OF GRANT OF AN EXPLORATION LICENCE

Title Type and Number: Exploration Licence 27156  
 Granted: 16 June 2009, for a period of 2 Years  
 Area: 34 Blocks, 106.70 sq kms  
 Locality: JUNCTION BAY  
 Name of Holder/s: 100% RIO TINTO EXPLORATION PTY LIMITED [ACN. 000 057 125]



Area granted depicted above. Excluding therefrom all land that is subject of a mining tenement, or an application for a mining tenement made before the application for the grant of this licence, and excluding all land the subject of a reservation from occupation under the *Mining Act* and all land vested in the Commonwealth of Australia.

460/09

