



MN20/09

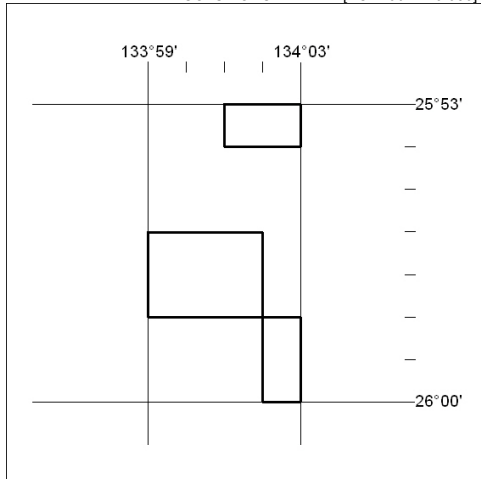
DARWIN

20 May 2009

Mining Act

NOTICE OF LAND CEASING TO BE AN EXPLORATION LICENCE AREA

Title Type and Number: Exploration Licence 9742
 Area Ceased on: 16 May 2009
 Area: 10 Blocks, 30.88 sq kms
 Locality: BEDDOME
 Name of Holder/s: 50% IMPERIAL GRANITE & MINERALS PTY LTD [ACN. 080 314 012], 50% STATISTICS & SOLUTIONS PTY LTD [ACN. 001 429 036]

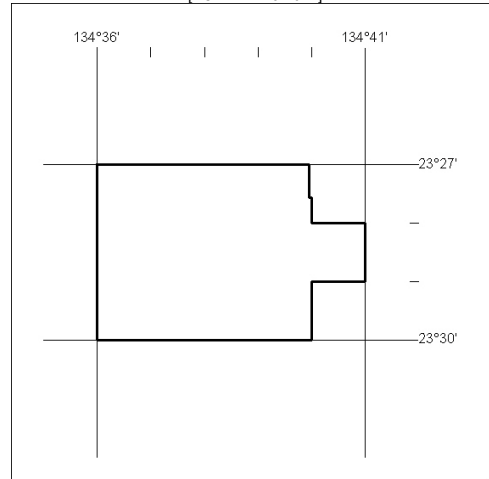


319/09

Mining Act

NOTICE OF LAND CEASING TO BE AN EXPLORATION LICENCE AREA

Title Type and Number: Exploration Licence 22918
 Area Ceased on: 12 May 2009
 Area: 13 Blocks, 40.86 sq kms
 Locality: LAUGHLEN
 Name of Holder/s: 50% DEEP YELLOW LIMITED [ACN. 006 391 948], 50% RUM JUNGLE URANIUM LTD* [ACN. 122 131 622]

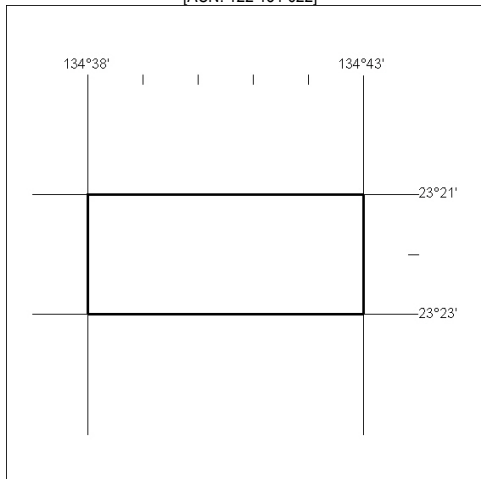


321/09

Mining Act

NOTICE OF LAND CEASING TO BE AN EXPLORATION LICENCE AREA

Title Type and Number: Exploration Licence 10360
 Area Ceased on: 12 May 2009
 Area: 10 Blocks, 31.53 sq kms
 Locality: RIDDOCH
 Name of Holder/s: 50% DEEP YELLOW LIMITED [ACN. 006 391 948], 50% RUM JUNGLE URANIUM LTD* [ACN. 122 131 622]

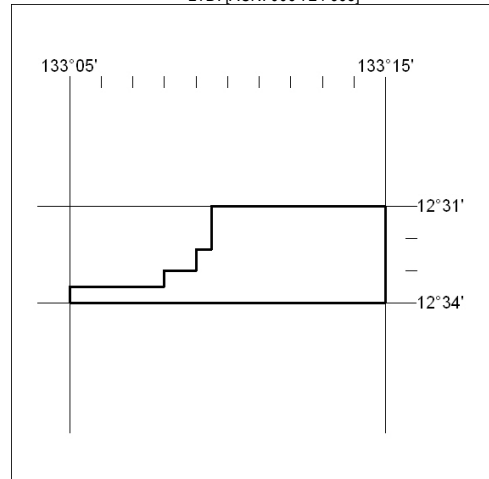


320/09

Mining Act

NOTICE OF GRANT OF AN EXPLORATION LICENCE

Title Type and Number: Exploration Licence 9637
 Granted: 15 May 2009, for a period of 6 Years
 Area: 22 Blocks, 66.51 sq kms
 Locality: HOWSHIP
 Name of Holder/s: 100% HEAVY METAL RESOURCES PTY. LTD. [ACN. 006 724 965]



Area granted depicted above. Excluding therefrom all land that is subject of a mining tenement, or an application for a mining tenement made before the application for the grant of this licence, and excluding all land the subject of a reservation from occupation under the *Mining Act* and all land vested in the Commonwealth of Australia.

322/09



MN20/09

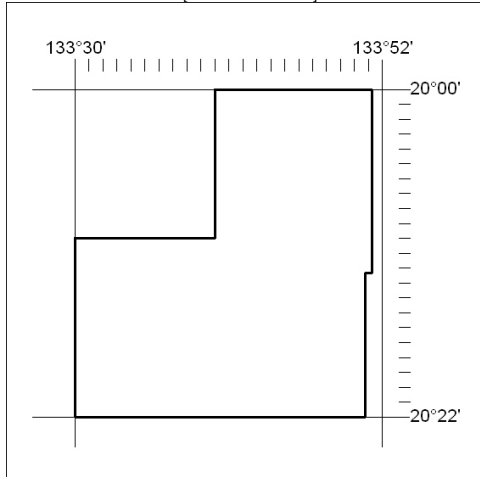
DARWIN

20 May 2009

Mining Act

NOTICE OF GRANT OF AN EXPLORATION LICENCE

Title Type and Number: Exploration Licence 25581
 Granted: 12 May 2009, for a period of 6 Years
 Area: 375 Blocks, 1170.00 sq kms
 Locality: CHALUBA
 Name of Holder/s: 100% TENNANT CREEK GOLD (NT) PTY LTD [ACN. 085 057 398]



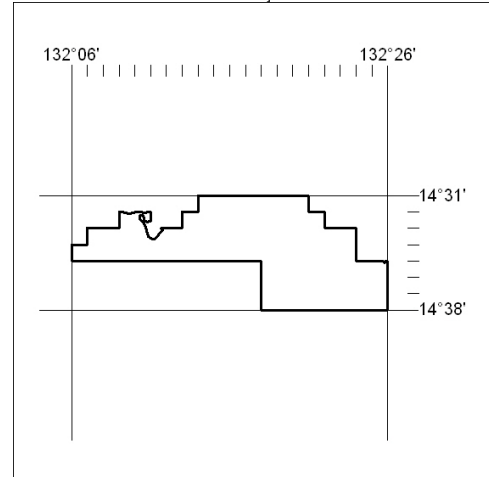
Area granted depicted above. Excluding therefrom all land that is subject of a mining tenement, or an application for a mining tenement made before the application for the grant of this licence, and excluding all land the subject of a reservation from occupation under the *Mining Act* and all land vested in the Commonwealth of Australia.

323/09

Mining Act

NOTICE OF GRANT OF AN EXPLORATION LICENCE

Title Type and Number: Exploration Licence 26900
 Granted: 14 May 2009, for a period of 6 Years
 Area: 77 Blocks, 253.46 sq kms
 Locality: MANBULLOO
 Name of Holder/s: 100% CENTURY HILL PTY LTD [ACN. 125681209]



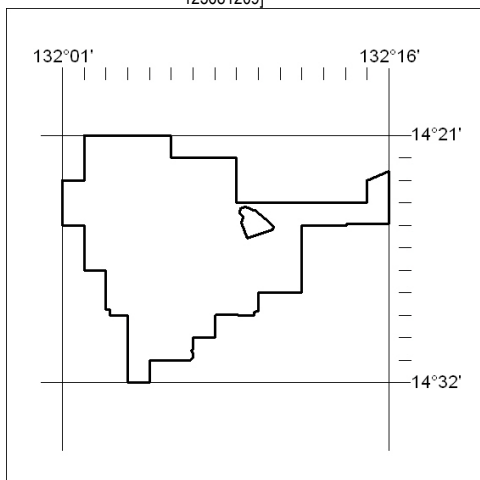
Area granted depicted above. Excluding therefrom all land that is subject of a mining tenement, or an application for a mining tenement made before the application for the grant of this licence, and excluding all land the subject of a reservation from occupation under the *Mining Act* and all land vested in the Commonwealth of Australia.

325/09

Mining Act

NOTICE OF GRANT OF AN EXPLORATION LICENCE

Title Type and Number: Exploration Licence 26898
 Granted: 14 May 2009, for a period of 6 Years
 Area: 80 Blocks, 258.20 sq kms
 Locality: KATHERINE
 Name of Holder/s: 100% CENTURY HILL PTY LTD [ACN. 125681209]



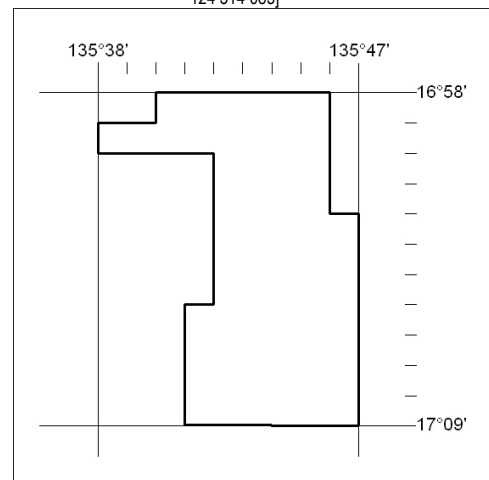
Area granted depicted above. Excluding therefrom all land that is subject of a mining tenement, or an application for a mining tenement made before the application for the grant of this licence, and excluding all land the subject of a reservation from occupation under the *Mining Act* and all land vested in the Commonwealth of Australia.

324/09

Mining Act

NOTICE OF GRANT OF AN EXPLORATION LICENCE

Title Type and Number: Exploration Licence 26949
 Granted: 11 May 2009, for a period of 6 Years
 Area: 61 Blocks, 200.04 sq kms
 Locality: KILGOUR
 Name of Holder/s: 100% CASTILE RESOURCES PTY LTD [ACN. 124 314 085]



Area granted depicted above. Excluding therefrom all land that is subject of a mining tenement, or an application for a mining tenement made before the application for the grant of this licence, and excluding all land the subject of a reservation from occupation under the *Mining Act* and all land vested in the Commonwealth of Australia.

326/09



MN20/09

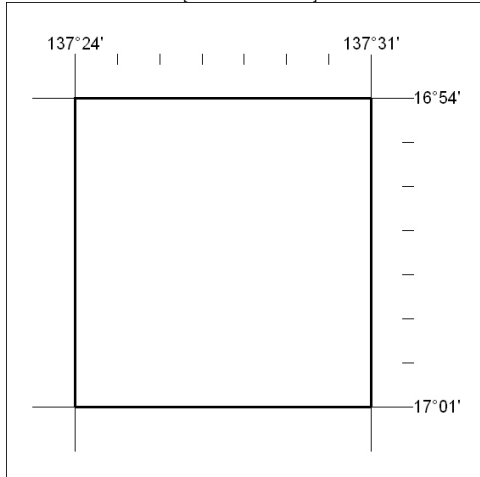
DARWIN

20 May 2009

Mining Act

NOTICE OF GRANT OF AN EXPLORATION LICENCE

Title Type and Number: Exploration Licence 26966
 Granted: 13 May 2009, for a period of 6 Years
 Area: 49 Blocks, 161.00 sq kms
 Locality: PUNGALINA
 Name of Holder/s: 100% PHOSPHATE AUSTRALIA LIMITED*
 [ACN. 129 158 550]



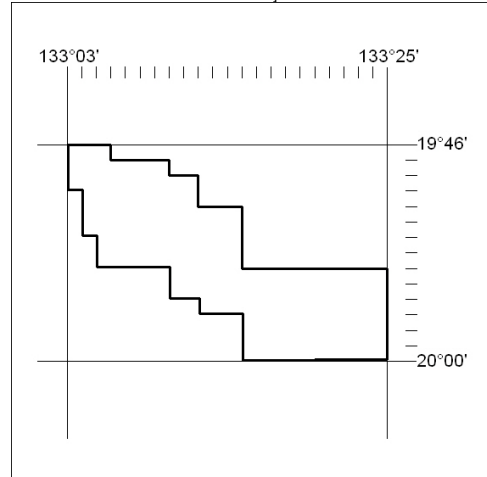
Area granted depicted above. Excluding therefrom all land that is subject of a mining tenement, or an application for a mining tenement made before the application for the grant of this licence, and excluding all land the subject of a reservation from occupation under the *Mining Act* and all land vested in the Commonwealth of Australia.

327/09

Mining Act

NOTICE OF GRANT OF AN EXPLORATION LICENCE

Title Type and Number: Substitution Exploration Licence 27039
 Granted: 15 May 2009, for a period of 4 Years
 Area: 142 Blocks, 449.09 sq kms
 Locality: BILLIATT
 Name of Holder/s: 100% CASTILE RESOURCES PTY LTD [ACN. 124 314 085]



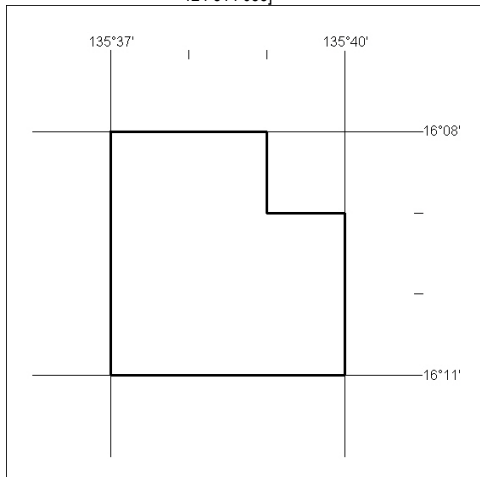
Area granted depicted above. Excluding therefrom all land that is subject of a mining tenement, or an application for a mining tenement made before the application for the grant of this licence, and excluding all land the subject of a reservation from occupation under the *Mining Act* and all land vested in the Commonwealth of Australia.

329/09

Mining Act

NOTICE OF GRANT OF AN EXPLORATION LICENCE

Title Type and Number: Exploration Licence 27028
 Granted: 11 May 2009, for a period of 6 Years
 Area: 8 Blocks, 26.39 sq kms
 Locality: BATTEN
 Name of Holder/s: 100% CASTILE RESOURCES PTY LTD [ACN. 124 314 085]



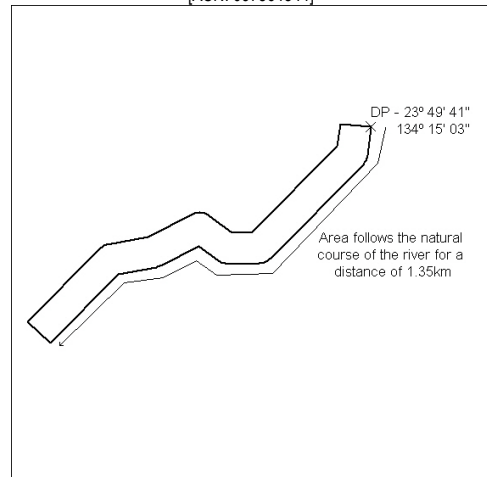
Area granted depicted above. Excluding therefrom all land that is subject of a mining tenement, or an application for a mining tenement made before the application for the grant of this licence, and excluding all land the subject of a reservation from occupation under the *Mining Act* and all land vested in the Commonwealth of Australia.

328/09

Mining Act

NOTICE OF GRANT OF A MINING TENEMENT

Title Type and Number: Extractive Mineral Permit 27009
 Granted: 12 May 2009, for a period of 2 Years
 Area: 14.00 Hectares
 Locality: UNDOOLYA
 Name of Holder/s: 100% C.P. CAVANAGH NOMINEES PTY LTD [ACN. 097564344]



330/09



MN20/09

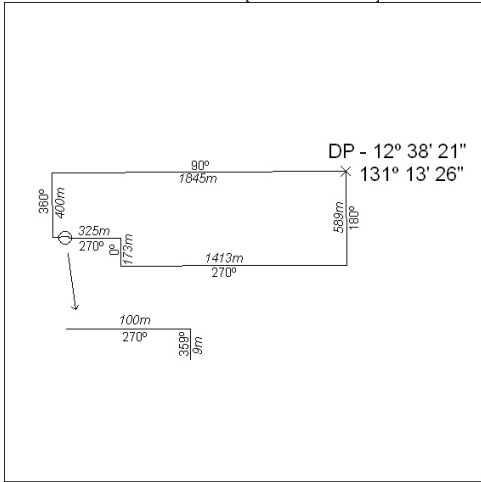
DARWIN

20 May 2009

Mining Act

NOTICE OF GRANT OF A MINING TENEMENT

Title Type and Number: Extractive Mineral Permit 27077
 Granted: 11 May 2009, for a period of 2 Years
 Area: 100.00 Hectares
 Locality: NOONAMAH
 Name of Holder/s: 100% A AND SF MADDALOZZO PTY. LIMITED [ACN. 009 624 015]

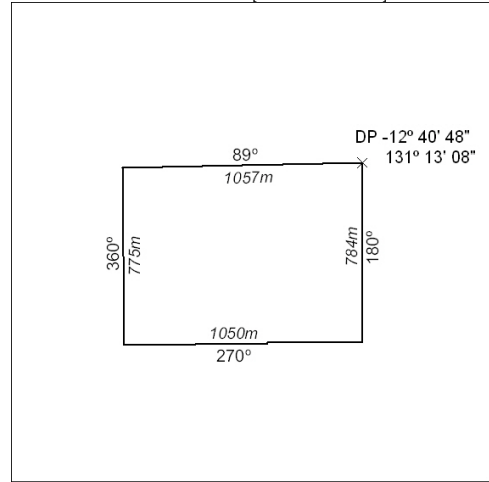


331/09

Mining Act

NOTICE OF GRANT OF A MINING TENEMENT

Title Type and Number: Extractive Mineral Permit 27079
 Granted: 11 May 2009, for a period of 2 Years
 Area: 83.00 Hectares
 Locality: NOONAMAH
 Name of Holder/s: 100% A AND SF MADDALOZZO PTY. LIMITED [ACN. 009 624 015]

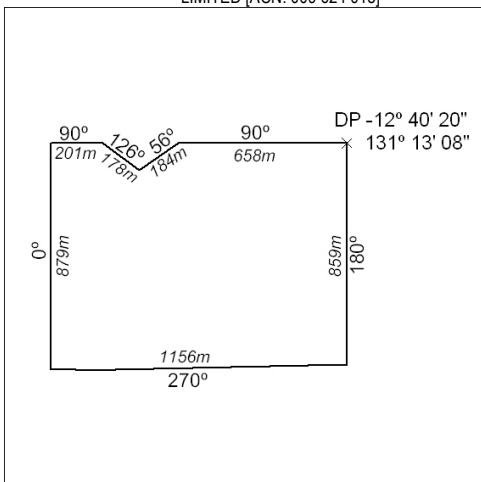


333/09

Mining Act

NOTICE OF GRANT OF A MINING TENEMENT

Title Type and Number: Extractive Mineral Permit 27078
 Granted: 11 May 2009, for a period of 2 Years
 Area: 100.00 Hectares
 Locality: NOONAMAH
 Name of Holder/s: 100% A AND SF MADDALOZZO PTY. LIMITED [ACN. 009 624 015]

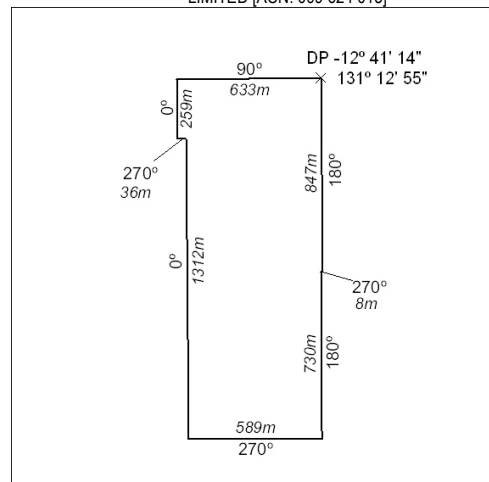


332/09

Mining Act

NOTICE OF GRANT OF A MINING TENEMENT

Title Type and Number: Extractive Mineral Permit 27080
 Granted: 11 May 2009, for a period of 2 Years
 Area: 95.00 Hectares
 Locality: NOONAMAH
 Name of Holder/s: 100% A AND SF MADDALOZZO PTY. LIMITED [ACN. 009 624 015]



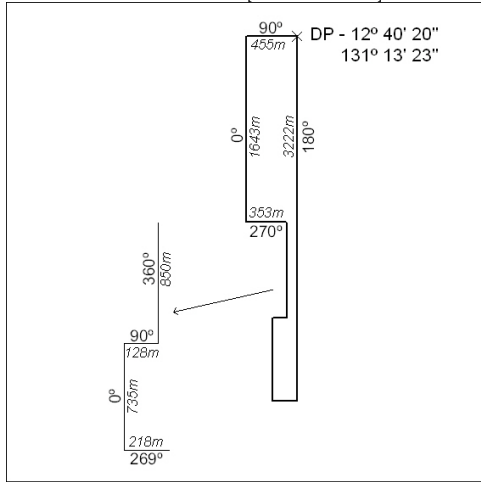
334/09



Mining Act

NOTICE OF GRANT OF A MINING TENEMENT

Title Type and Number: Extractive Mineral Permit 27081
 Granted: 11 May 2009, for a period of 2 Years
 Area: 100.00 Hectares
 Locality: NOONAMAH
 Name of Holder/s: 100% A AND SF MADDALOZZO PTY.
 LIMITED [ACN. 009 624 015]



335/09