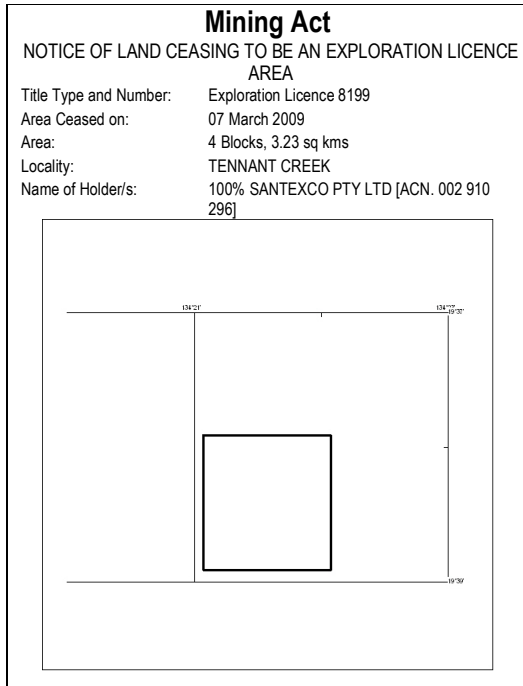




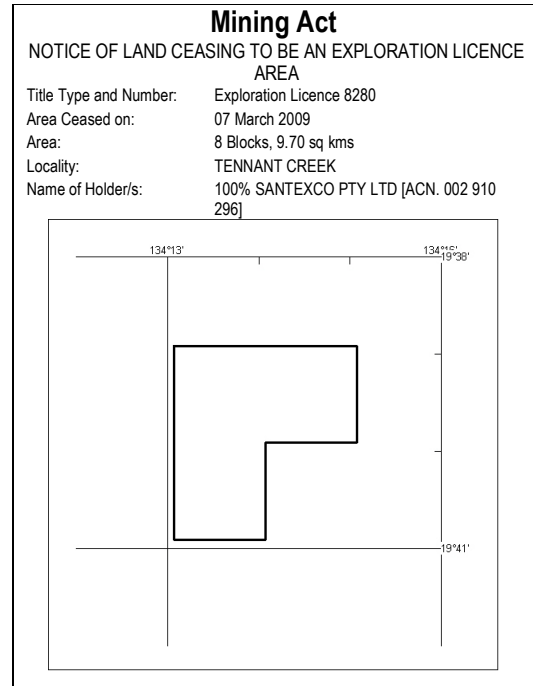
MN10/09

DARWIN

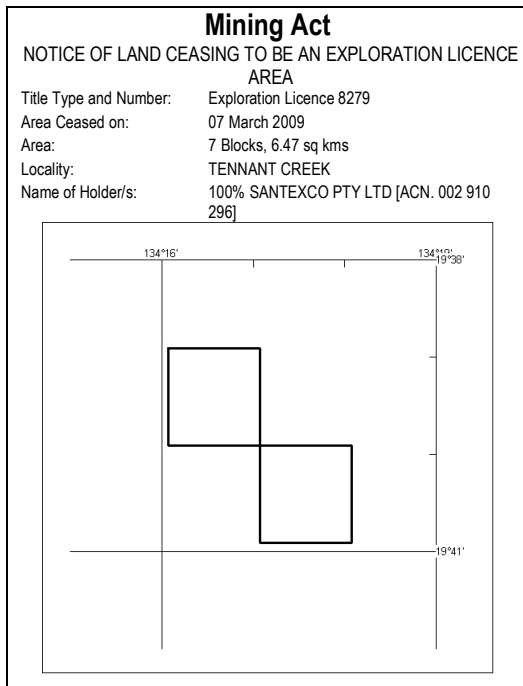
11 March 2009



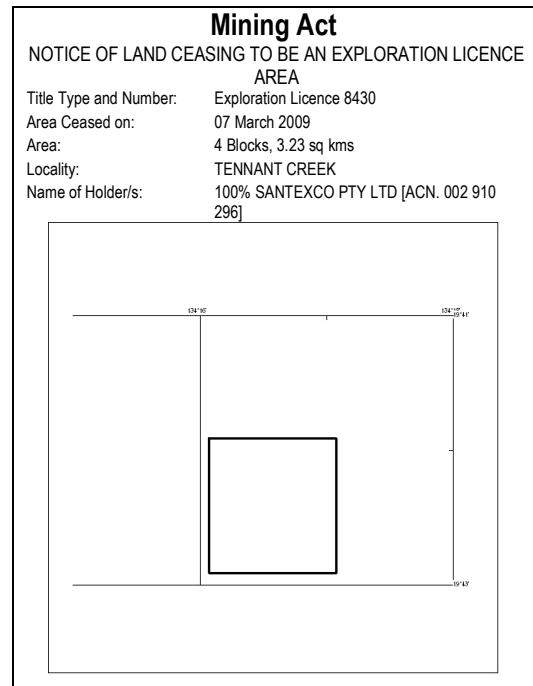
122/09



124/09



123/09



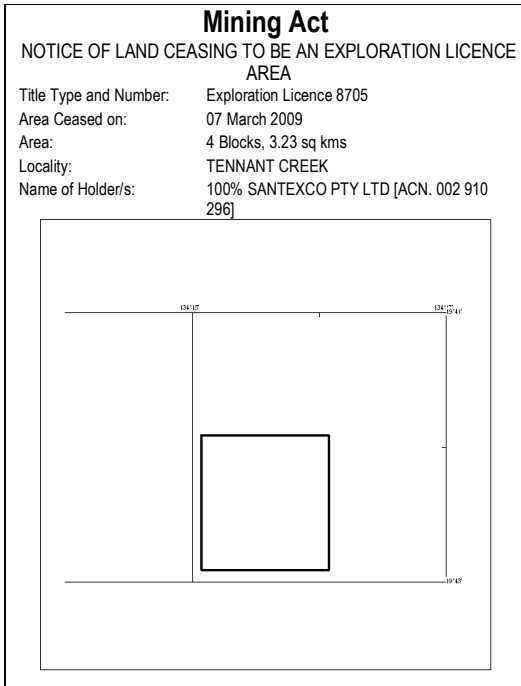
125/09



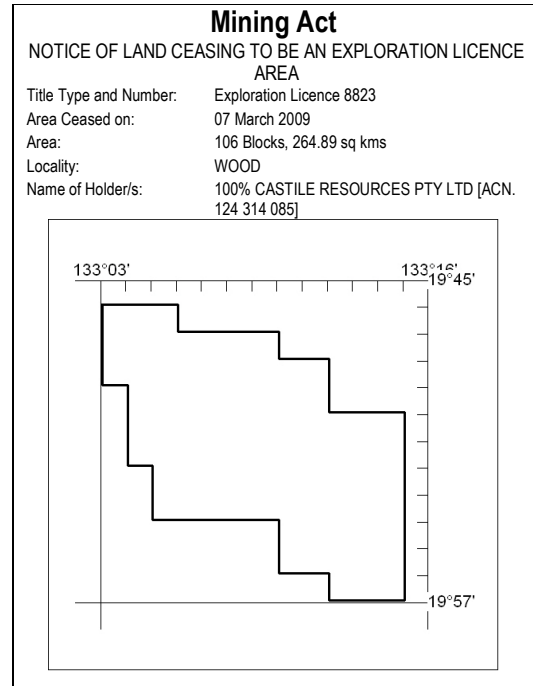
MN10/09

DARWIN

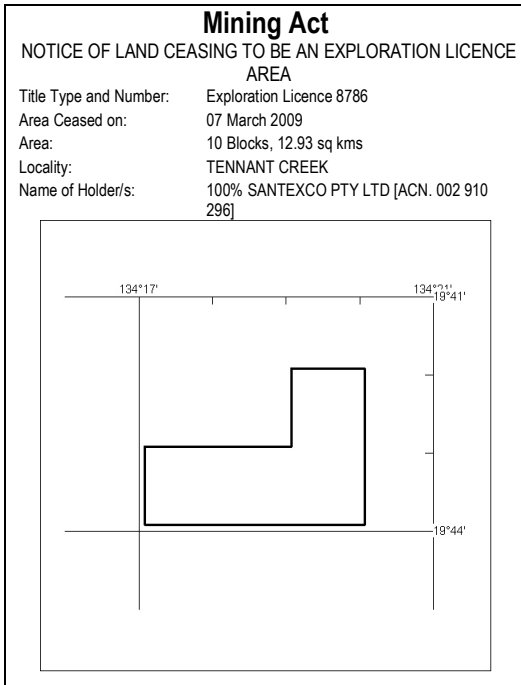
11 March 2009



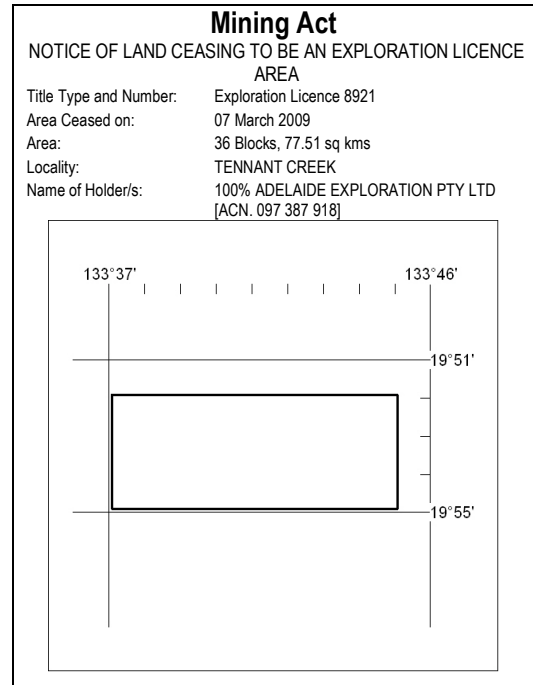
126/09



128/09



127/09



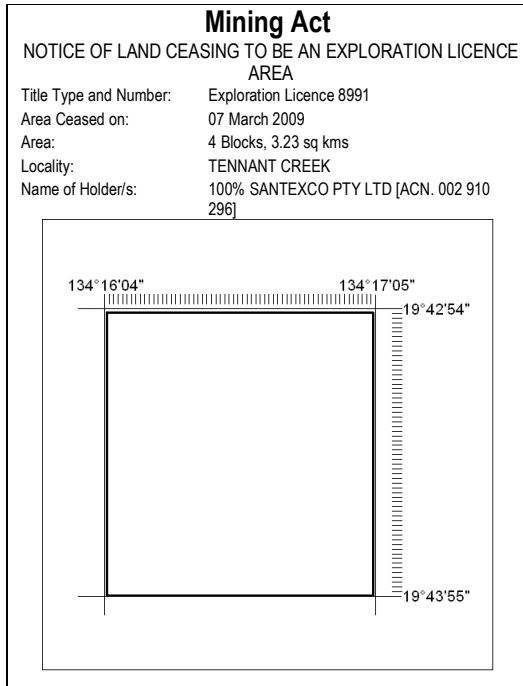
129/09



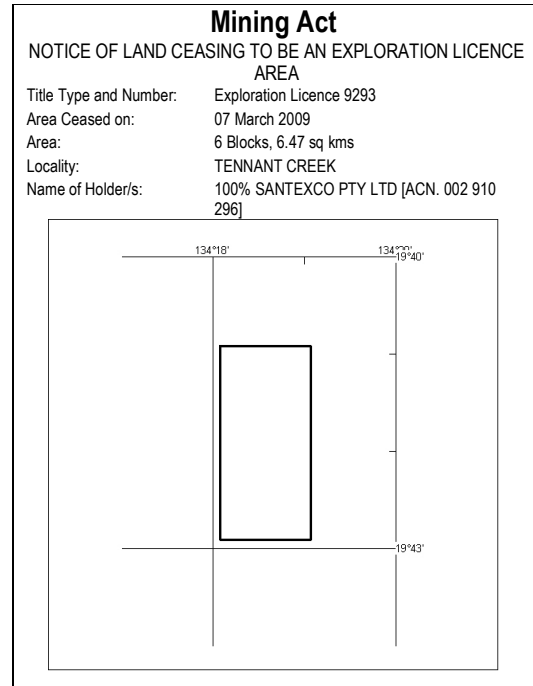
MN10/09

DARWIN

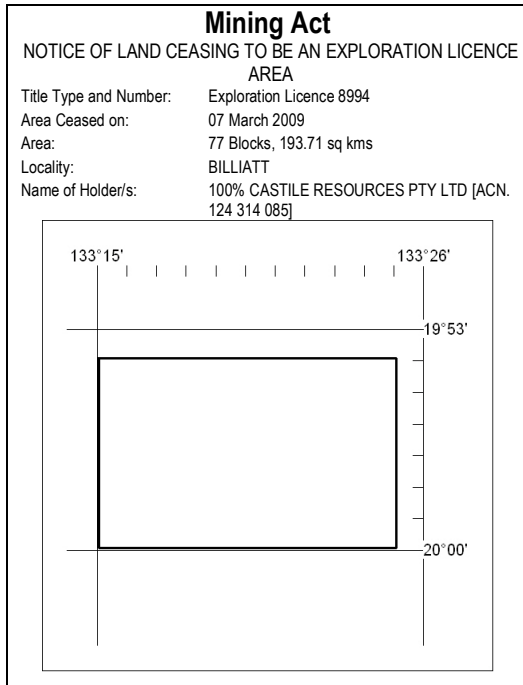
11 March 2009



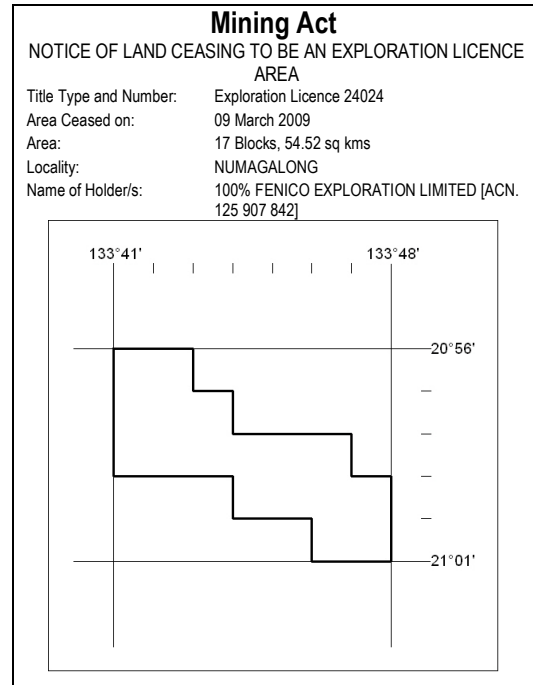
130/09



132/09



131/09



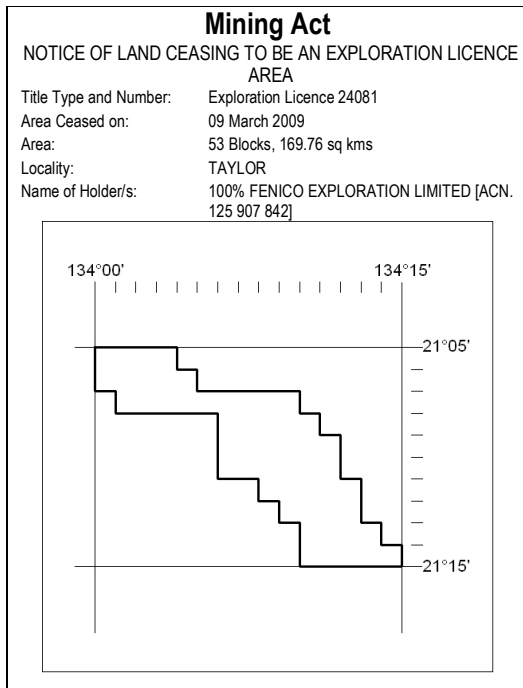
133/09



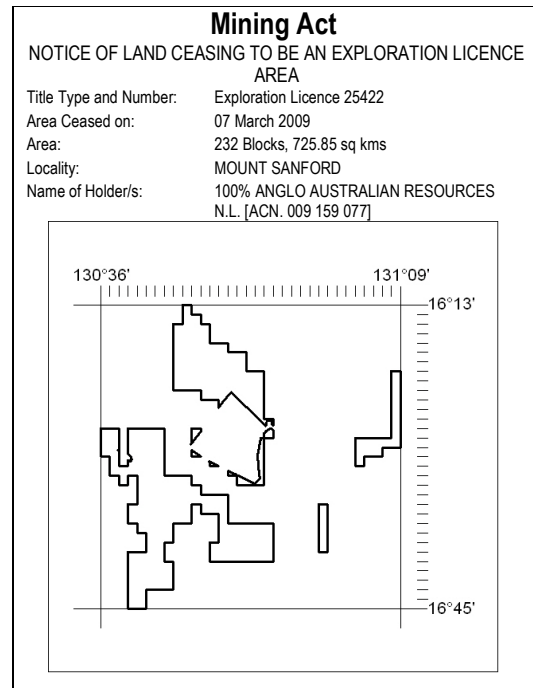
MN10/09

DARWIN

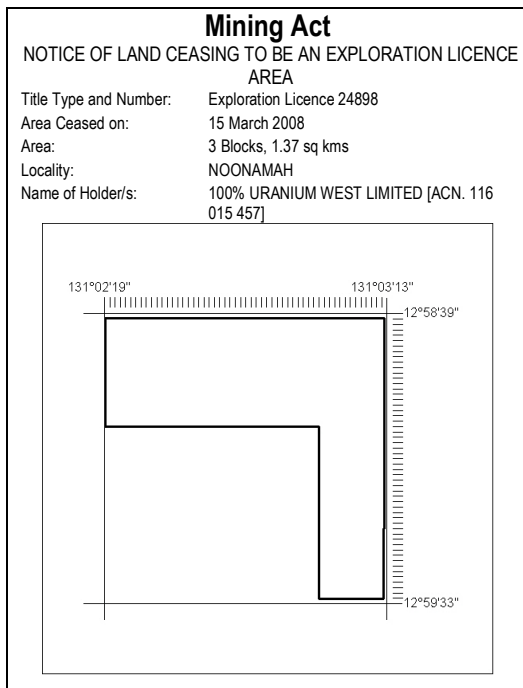
11 March 2009



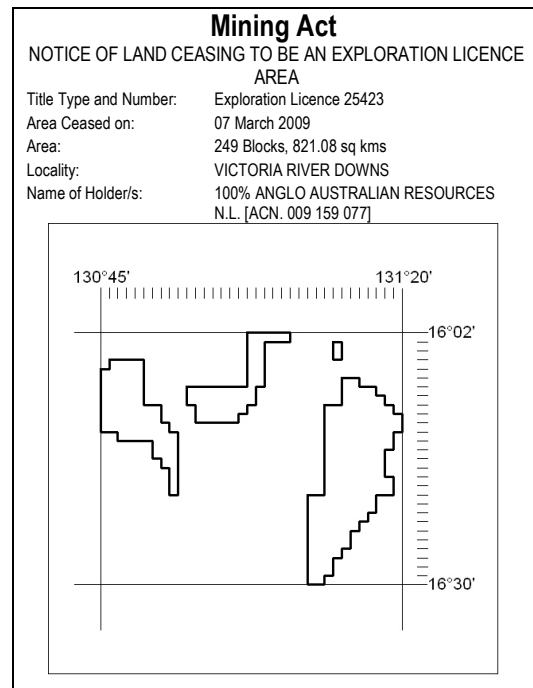
134/09



136/09



135/09



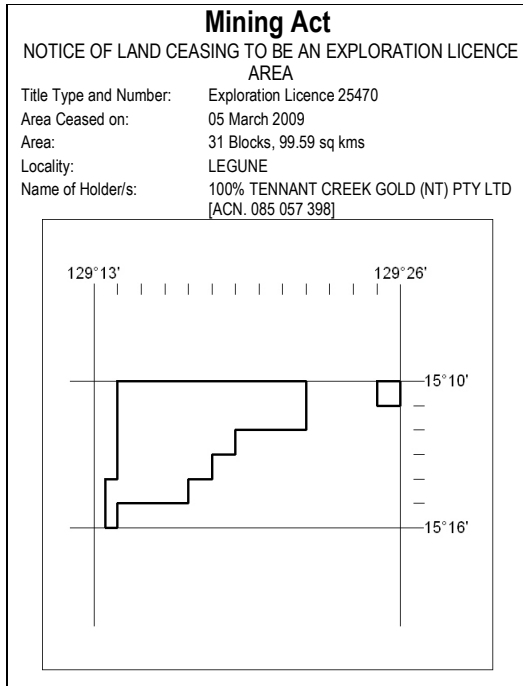
137/09



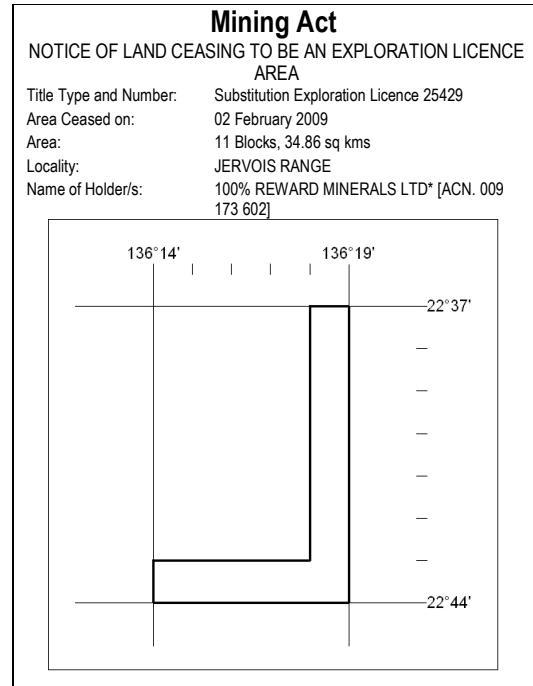
MN10/09

DARWIN

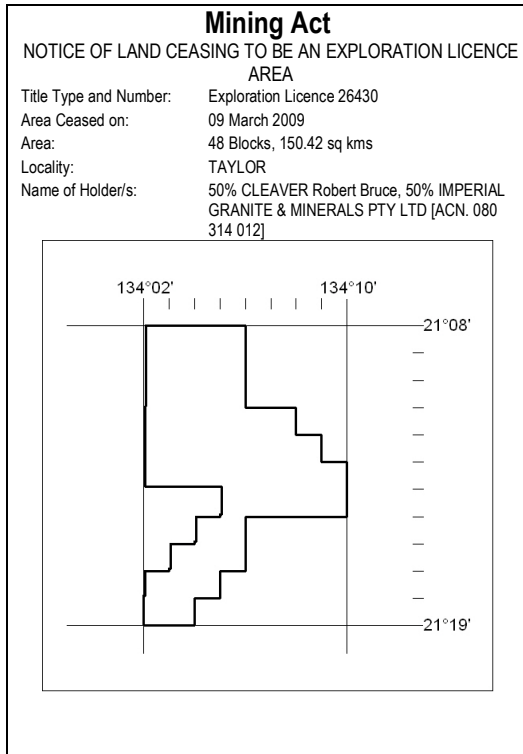
11 March 2009



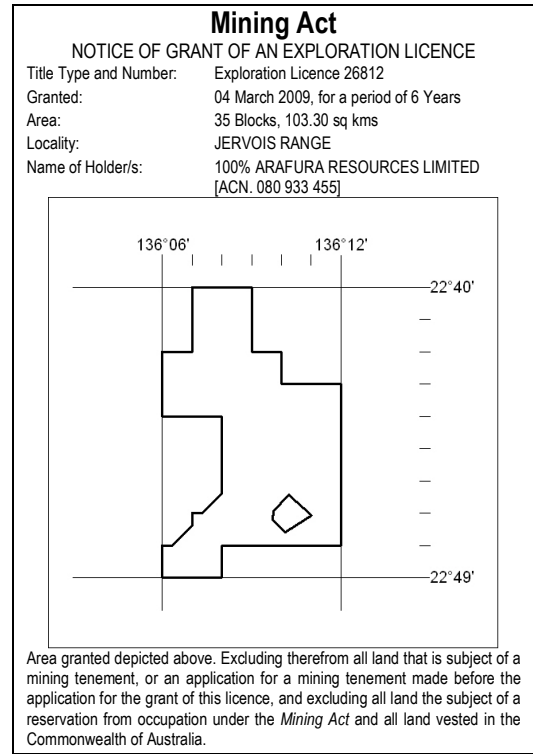
138/09



140/09



139/09



141/09



MN10/09

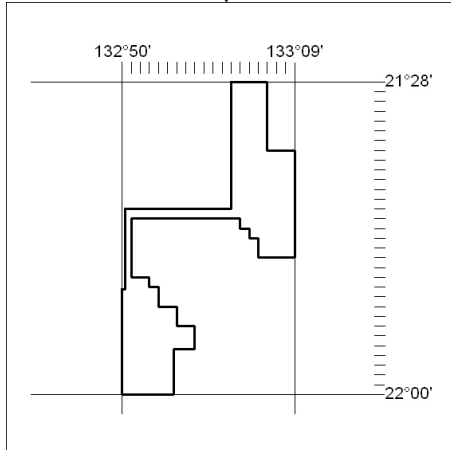
DARWIN

11 March 2009

Mining Act

NOTICE OF GRANT OF AN EXPLORATION LICENCE

Title Type and Number: Exploration Licence 26848
Granted: 04 March 2009, for a period of 6 Years
Area: 185 Blocks, 573.00 sq kms
Locality: MOUNT PEAKE
Name of Holder/s: 100% TORO ENERGY LIMITED [ACN. 117 127 590]



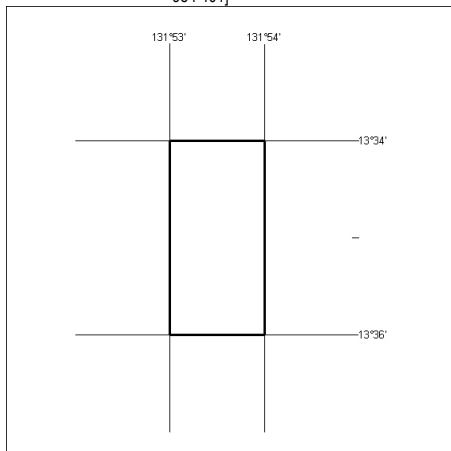
Area granted depicted above. Excluding therefrom all land that is subject of a mining tenement, or an application for a mining tenement made before the application for the grant of this licence, and excluding all land the subject of a reservation from occupation under the *Mining Act* and all land vested in the Commonwealth of Australia.

142/09

Mining Act

NOTICE OF GRANT OF AN EXPLORATION LICENCE

Title Type and Number: Exploration Licence 26880
Granted: 04 March 2009, for a period of 3 Years
Area: 2 Blocks, 6.68 sq kms
Locality: PINE CREEK
Name of Holder/s: 100% TERRITORY IRON PTY LTD [ACN. 125 984 401]



Area granted depicted above. Excluding therefrom all land that is subject of a mining tenement, or an application for a mining tenement made before the application for the grant of this licence, and excluding all land the subject of a reservation from occupation under the *Mining Act* and all land vested in the Commonwealth of Australia.

143/09

Corrigendum:

Corrigendum to cancel the mining notice for EL 23637 (MN 104/09) that appeared 04/03/2009.