



**MN07/09**

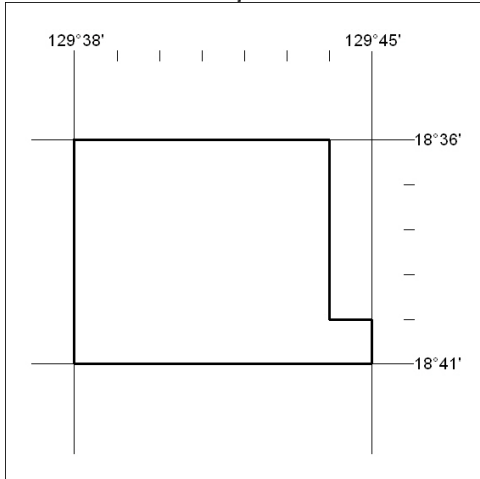
**DARWIN**

**18 February 2009**

## Mining Act

### NOTICE OF LAND CEASING TO BE AN EXPLORATION LICENCE AREA

Title Type and Number: Exploration Licence 23472  
 Area Ceased on: 27 January 2009  
 Area: 31 Blocks, 100.68 sq kms  
 Locality: WARE  
 Name of Holder/s: 100% TANAMI EXPLORATION NL [ACN. 063 213 598]

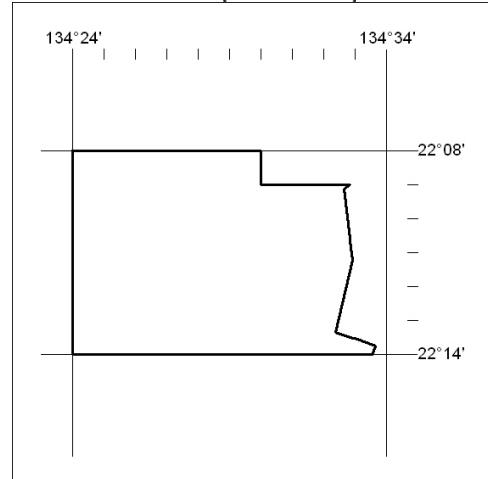


58/09

## Mining Act

### NOTICE OF LAND CEASING TO BE AN EXPLORATION LICENCE AREA

Title Type and Number: Exploration Licence 24355  
 Area Ceased on: 13 February 2009  
 Area: 52 Blocks, 158.70 sq kms  
 Locality: UTOPIA  
 Name of Holder/s: 100% IMPERIAL GRANITE & MINERALS PTY LTD [ACN. 080 314 012]

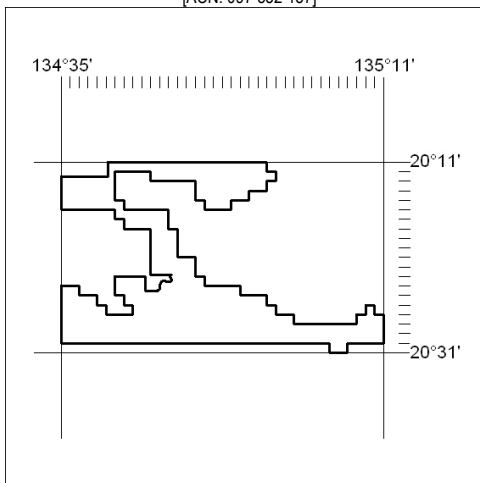


60/09

## Mining Act

### NOTICE OF LAND CEASING TO BE AN EXPLORATION LICENCE AREA

Title Type and Number: Exploration Licence 23937  
 Area Ceased on: 13 February 2009  
 Area: 274 Blocks, 864.70 sq kms  
 Locality: OORADIDGEE  
 Name of Holder/s: 100% WASHINGTON RESOURCES LIMITED [ACN. 097 532 137]

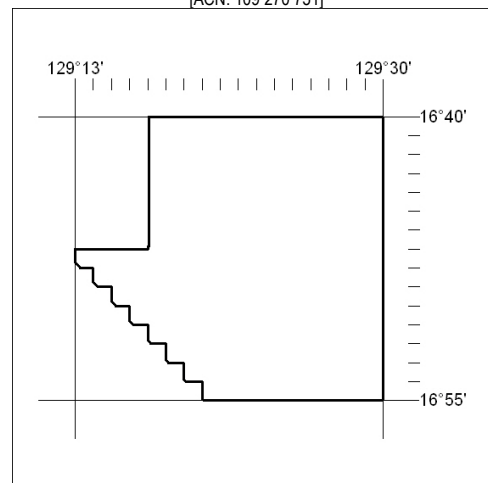


59/09

## Mining Act

### NOTICE OF LAND CEASING TO BE AN EXPLORATION LICENCE AREA

Title Type and Number: Exploration Licence 24579  
 Area Ceased on: 09 February 2009  
 Area: 199 Blocks, 652.45 sq kms  
 Locality: WATERLOO  
 Name of Holder/s: 100% NORTHWEST DIAMONDS LIMITED\* [ACN. 109 270 751]



61/09



**MN07/09**

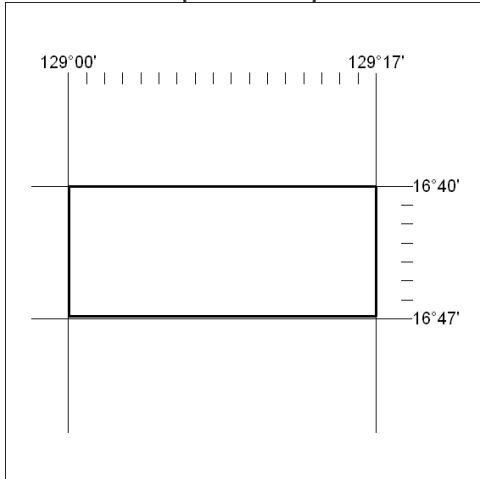
**DARWIN**

**18 February 2009**

## Mining Act

### NOTICE OF LAND CEASING TO BE AN EXPLORATION LICENCE AREA

Title Type and Number: Exploration Licence 24581  
 Area Ceased on: 09 February 2009  
 Area: 119 Blocks, 383.58 sq kms  
 Locality: WATERLOO  
 Name of Holder/s: 100% NORTHWEST DIAMONDS LIMITED\*  
 [ACN. 109 270 751]

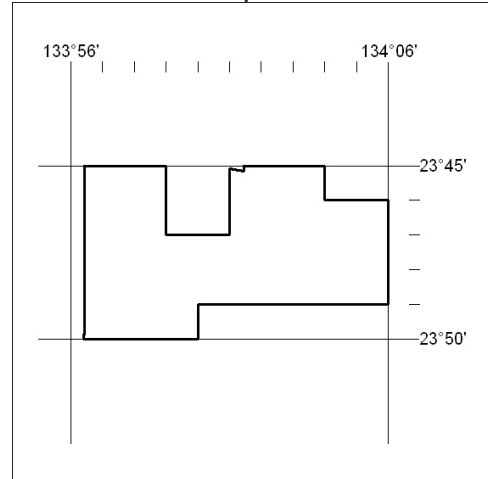


62/09

## Mining Act

### NOTICE OF LAND CEASING TO BE AN EXPLORATION LICENCE AREA

Title Type and Number: Exploration Licence 25266  
 Area Ceased on: 10 February 2009  
 Area: 38 Blocks, 112.58 sq kms  
 Locality: UNDOOLYA  
 Name of Holder/s: 100% CARBON ENERGY LIMITED [ACN. 057 552 137]

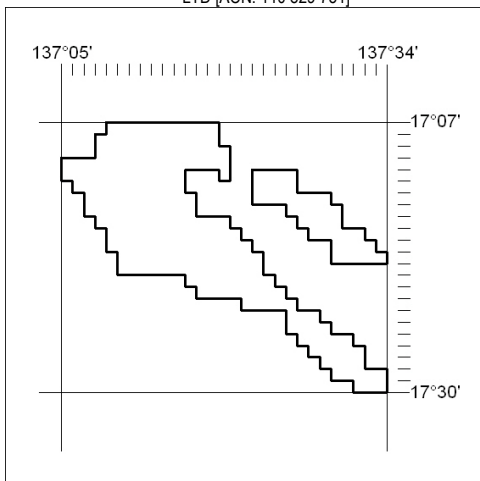


64/09

## Mining Act

### NOTICE OF LAND CEASING TO BE AN EXPLORATION LICENCE AREA

Title Type and Number: Exploration Licence 24644  
 Area Ceased on: 14 January 2009  
 Area: 241 Blocks, 790.32 sq kms  
 Locality: CALVERT HILLS  
 Name of Holder/s: 100% LAGOON CREEK RESOURCES PTY LTD [ACN. 110 829 751]

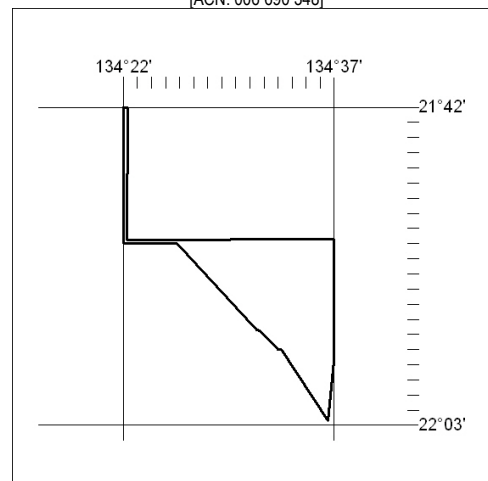


63/09

## Mining Act

### NOTICE OF LAND CEASING TO BE AN EXPLORATION LICENCE AREA

Title Type and Number: Exploration Licence 25290  
 Area Ceased on: 06 February 2009  
 Area: 99 Blocks, 220.44 sq kms  
 Locality: LURAPULLA  
 Name of Holder/s: 100% QUANTUM RESOURCES LIMITED [ACN. 006 690 348]



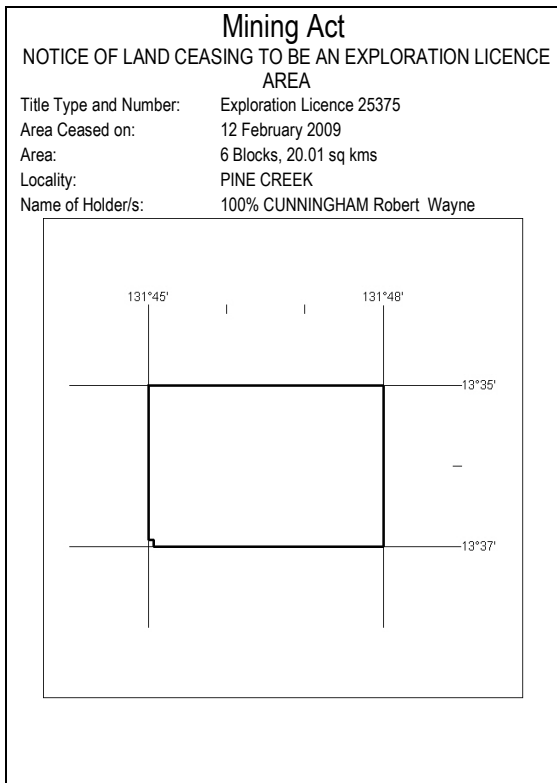
65/09



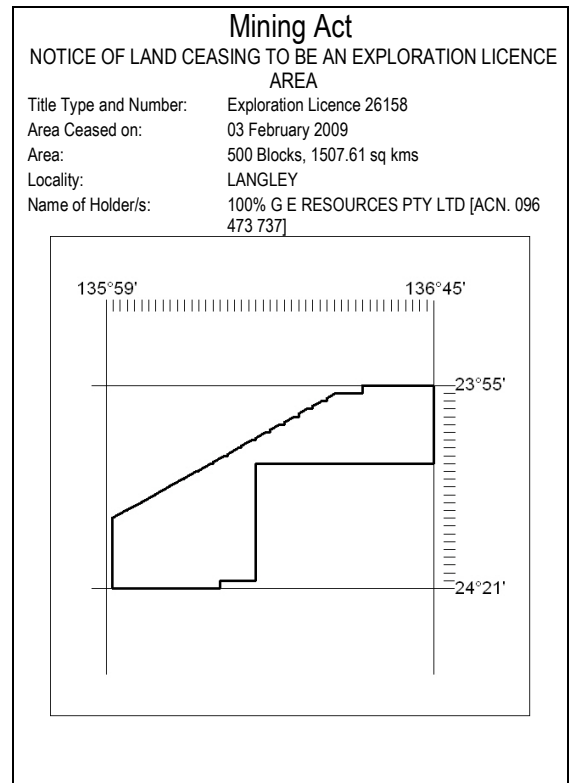
**MN07/09**

**DARWIN**

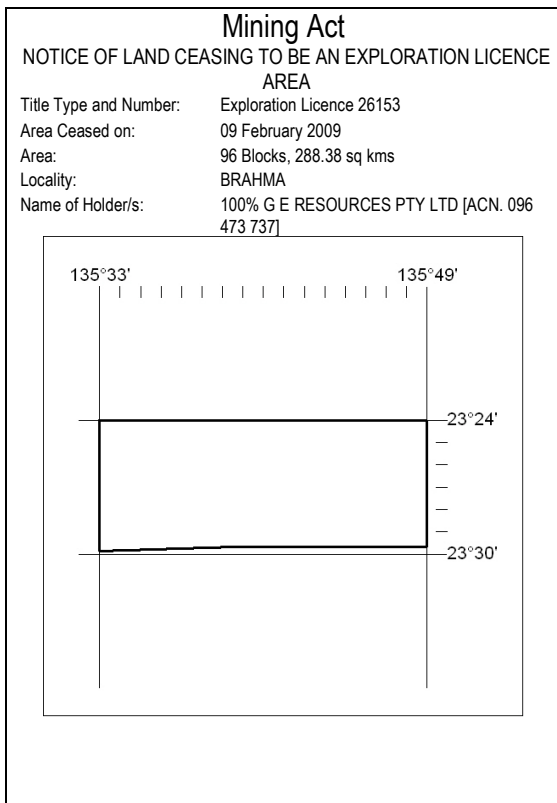
**18 February 2009**



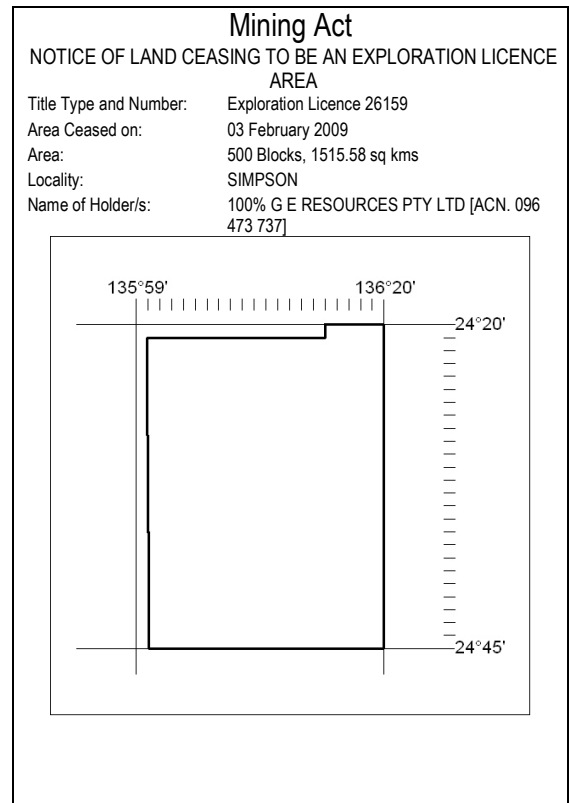
66/09



68/09



67/09



69/09



**MN07/09**

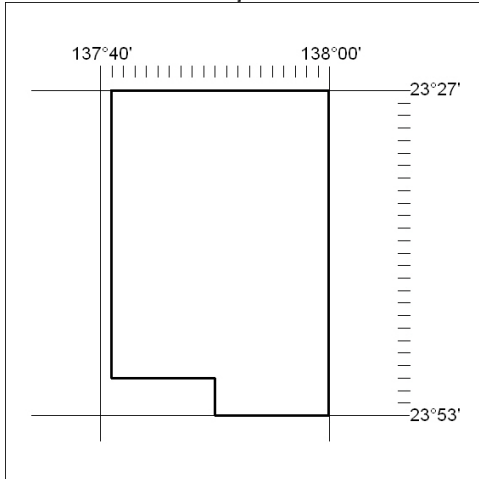
**DARWIN**

**18 February 2009**

## Mining Act

### NOTICE OF LAND CEASING TO BE AN EXPLORATION LICENCE AREA

Title Type and Number: Exploration Licence 26161  
 Area Ceased on: 03 February 2009  
 Area: 490 Blocks, 1467.21 sq kms  
 Locality: FIELD RIVER  
 Name of Holder/s: 100% G E RESOURCES PTY LTD [ACN. 096 473 737]

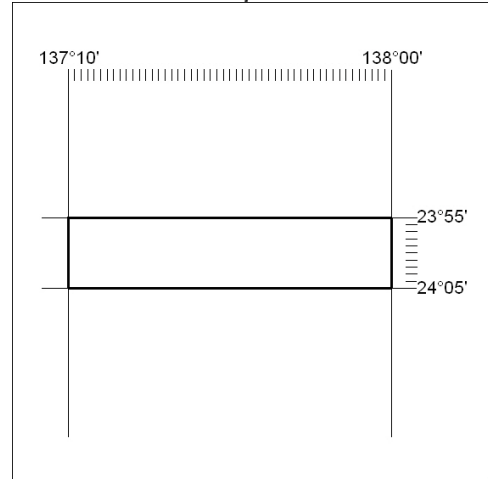


70/09

## Mining Act

### NOTICE OF LAND CEASING TO BE AN EXPLORATION LICENCE AREA

Title Type and Number: Exploration Licence 26164  
 Area Ceased on: 03 February 2009  
 Area: 500 Blocks, 1568.80 sq kms  
 Locality: FIELD RIVER  
 Name of Holder/s: 100% G E RESOURCES PTY LTD [ACN. 096 473 737]

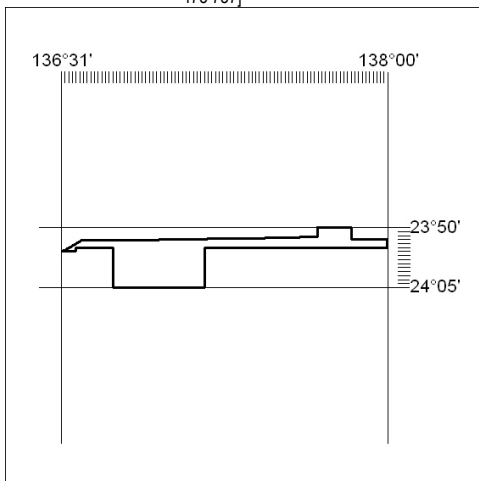


72/09

## Mining Act

### NOTICE OF LAND CEASING TO BE AN EXPLORATION LICENCE AREA

Title Type and Number: Exploration Licence 26163  
 Area Ceased on: 03 February 2009  
 Area: 494 Blocks, 1442.73 sq kms  
 Locality: DRURY  
 Name of Holder/s: 100% G E RESOURCES PTY LTD [ACN. 096 473 737]

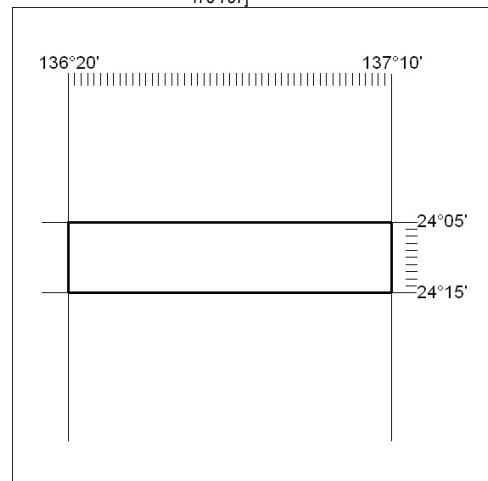


71/09

## Mining Act

### NOTICE OF LAND CEASING TO BE AN EXPLORATION LICENCE AREA

Title Type and Number: Exploration Licence 26165  
 Area Ceased on: 03 February 2009  
 Area: 500 Blocks, 1566.76 sq kms  
 Locality: KUNOTH  
 Name of Holder/s: 100% G E RESOURCES PTY LTD [ACN. 096 473 737]



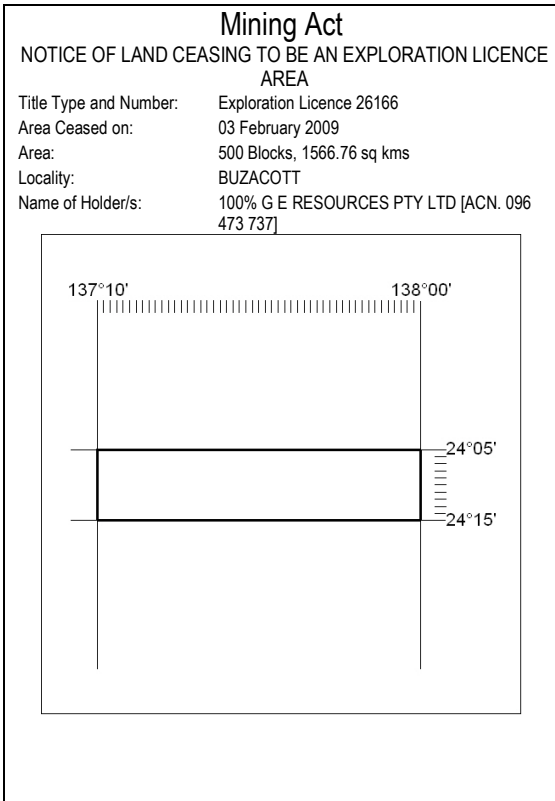
73/09



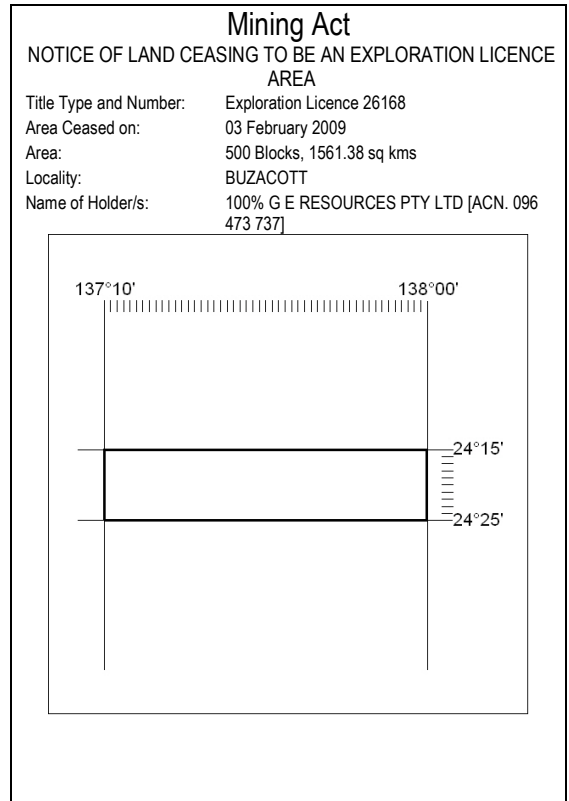
**MN07/09**

**DARWIN**

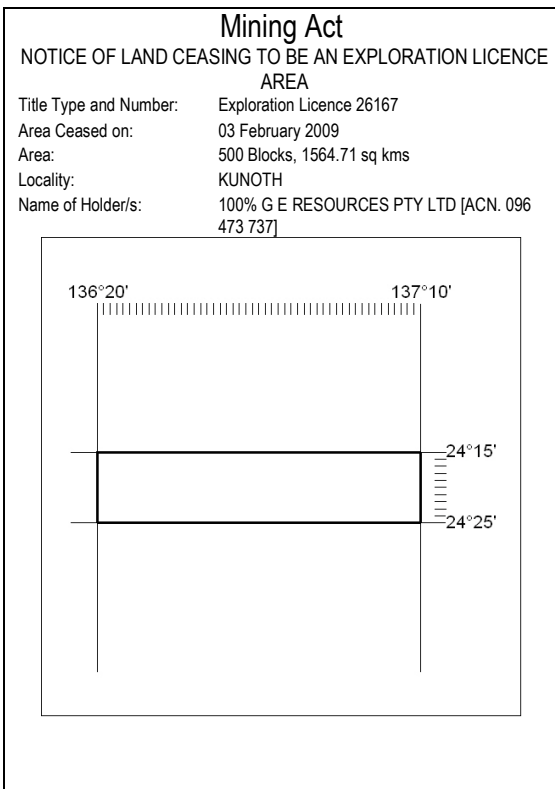
**18 February 2009**



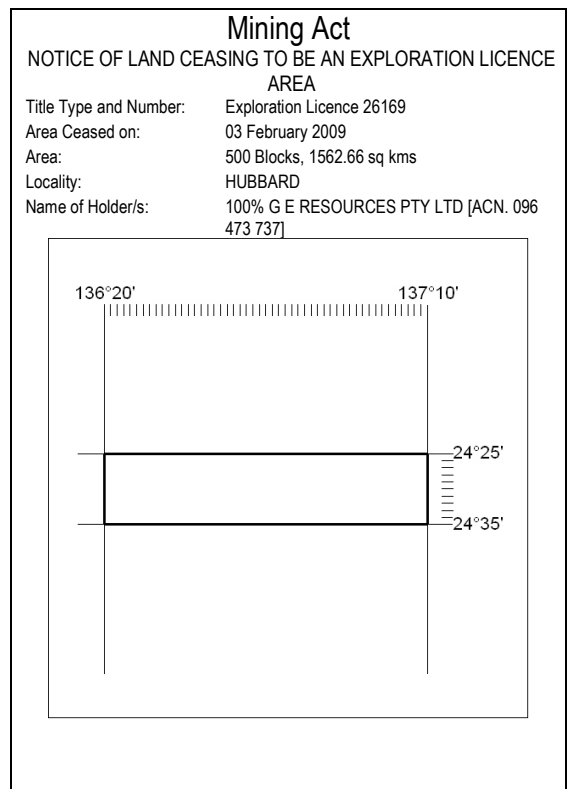
74/09



76/09



75/09



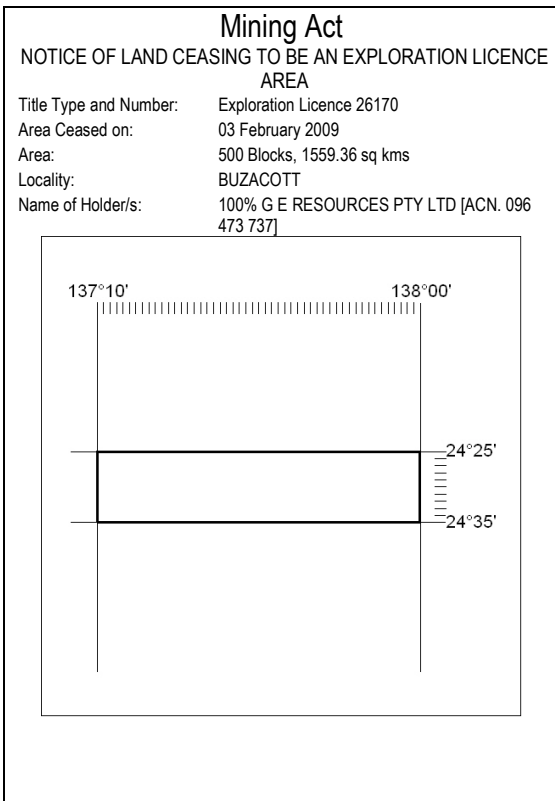
77/09



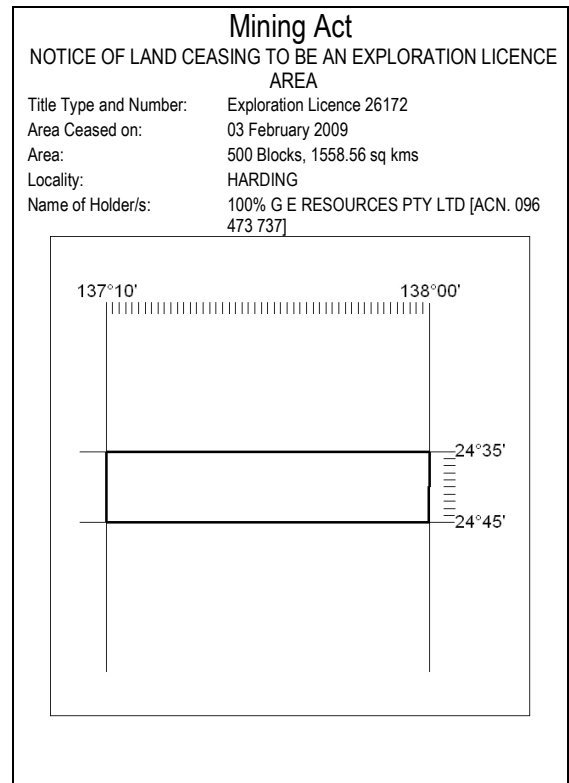
**MN07/09**

**DARWIN**

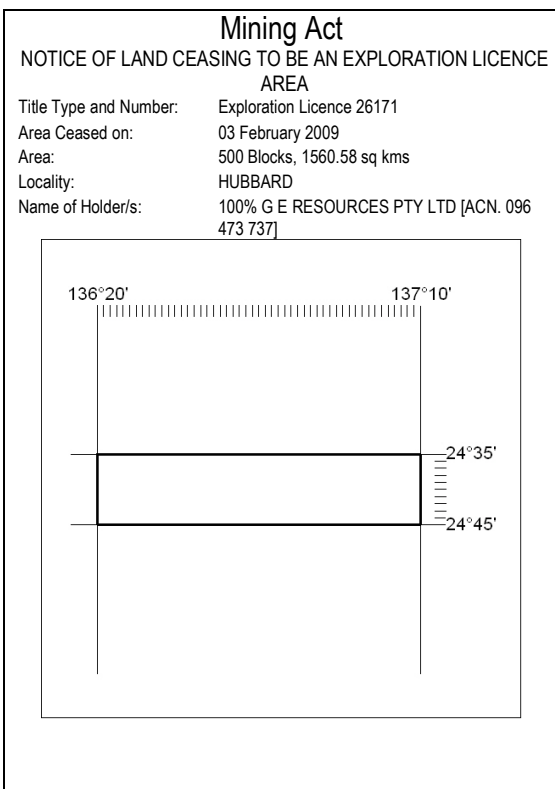
**18 February 2009**



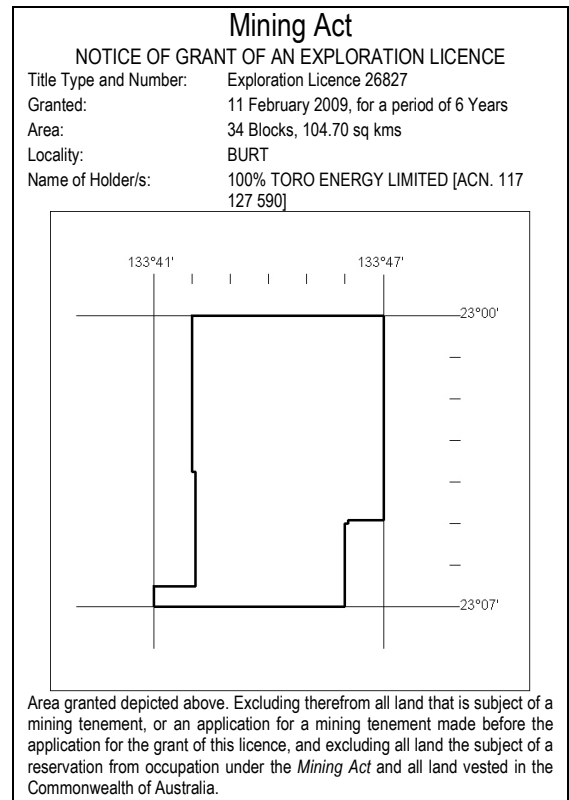
78/09



80/09



79/09



81/09



**MN07/09**

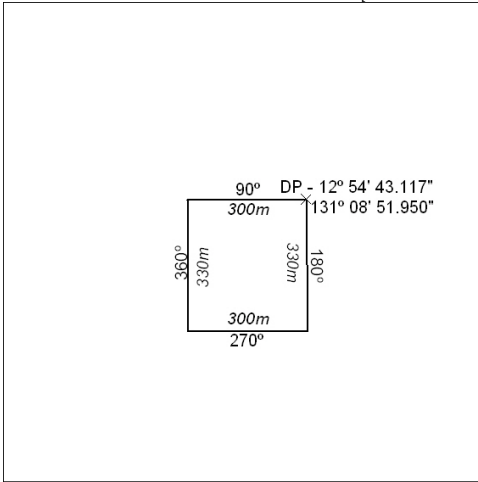
**DARWIN**

**18 February 2009**

## Mining Act

### NOTICE OF GRANT OF A MINING TENEMENT

Title Type and Number: Extractive Mineral Permit 26526  
 Granted: 05 February 2009, for a period of 2 Years  
 Area: 9.90 Hectares  
 Locality: NOONAMAH  
 Name of Holder/s: 100% FLOWMORE RESOURCE  
 MANAGEMENT PTY LTD [ACN. 111 316 977]

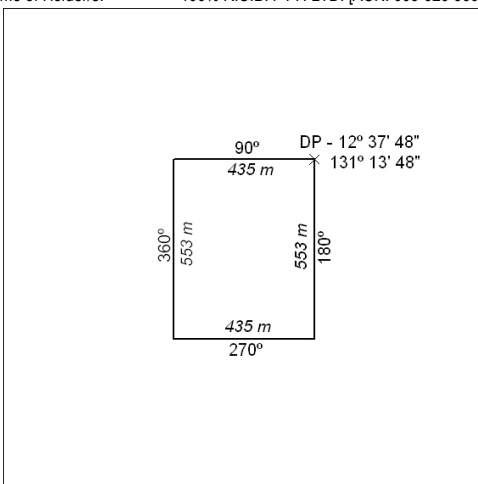


82/09

## Mining Act

### NOTICE OF GRANT OF A MINING TENEMENT

Title Type and Number: Extractive Mineral Permit 26870  
 Granted: 29 January 2009, for a period of 2 Years  
 Area: 24.13 Hectares  
 Locality: NOONAMAH  
 Name of Holder/s: 100% R.U.B. PTY. LTD. [ACN. 009 620 660]



83/09