



MN03/09

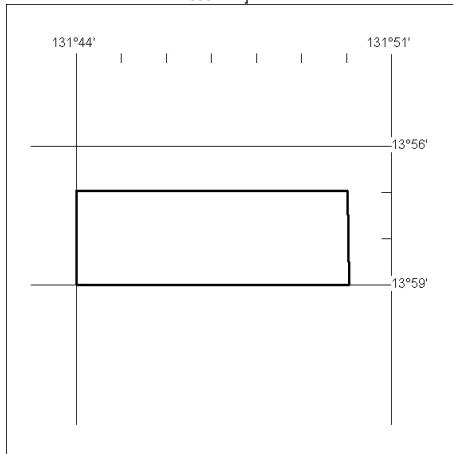
DARWIN

21 January 2009

Mining Act

NOTICE OF LAND CEASING TO BE AN EXPLORATION LICENCE AREA

Title Type and Number: Exploration Licence 23569
Area Ceased on: 19 January 2009
Area: 21 Blocks, 40.97 sq kms
Locality: FERGUSSON RIVER
Name of Holder/s: 100% ORION EXPLORATION PTY LTD [ACN. 115637244]

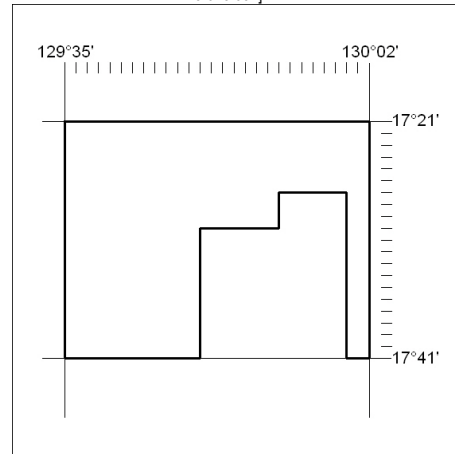


15/09

Mining Act

NOTICE OF LAND CEASING TO BE AN EXPLORATION LICENCE AREA

Title Type and Number: Exploration Licence 24764
Area Ceased on: 09 January 2009
Area: 379 Blocks, 1241.11 sq kms
Locality: LIMBUNYA
Name of Holder/s: 100% DINGO RESOURCES PTY LTD [ACN. 113 025 657]

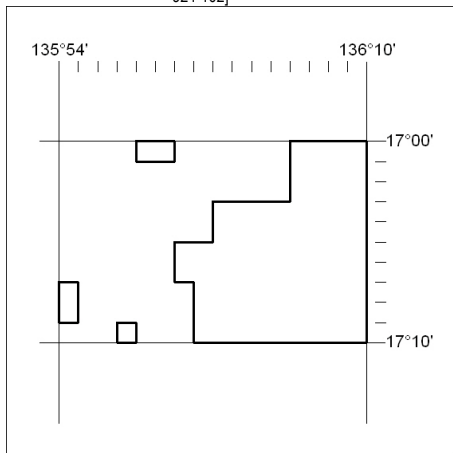


17/09

Mining Act

NOTICE OF LAND CEASING TO BE AN EXPLORATION LICENCE AREA

Title Type and Number: Exploration Licence 23639
Area Ceased on: 05 March 2008
Area: 80 Blocks, 262.63 sq kms
Locality: KILGOUR
Name of Holder/s: 100% KIANA PROJECTS PTY LTD [ACN. 107 921 102]

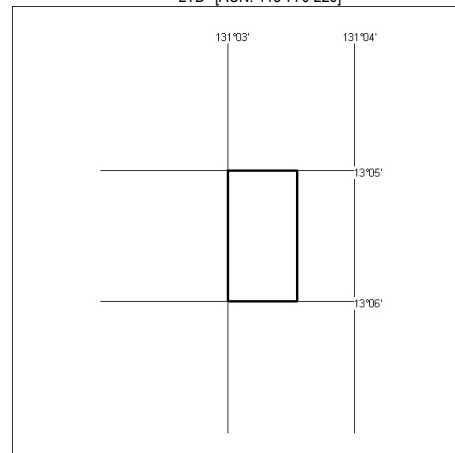


16/09

Mining Act

NOTICE OF LAND CEASING TO BE AN EXPLORATION LICENCE AREA

Title Type and Number: Exploration Licence 24884
Area Ceased on: 20 January 2009
Area: 1 Block, 1.83 sq kms
Locality: BATCHELOR
Name of Holder/s: 100% TERRITORY URANIUM COMPANY LTD* [ACN. 115 770 226]



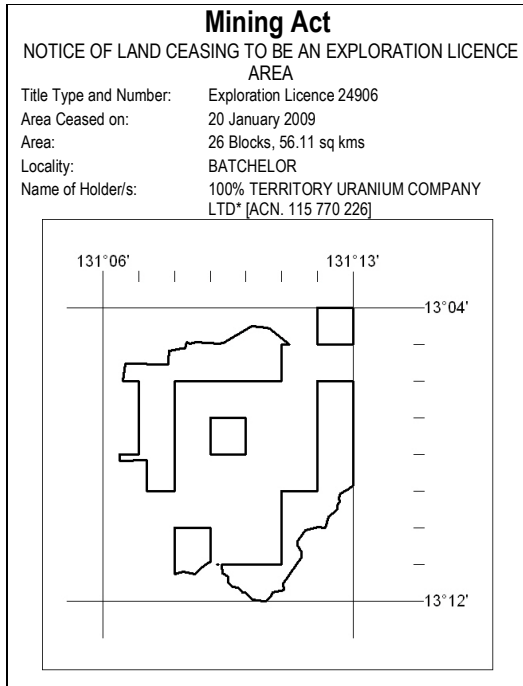
18/09



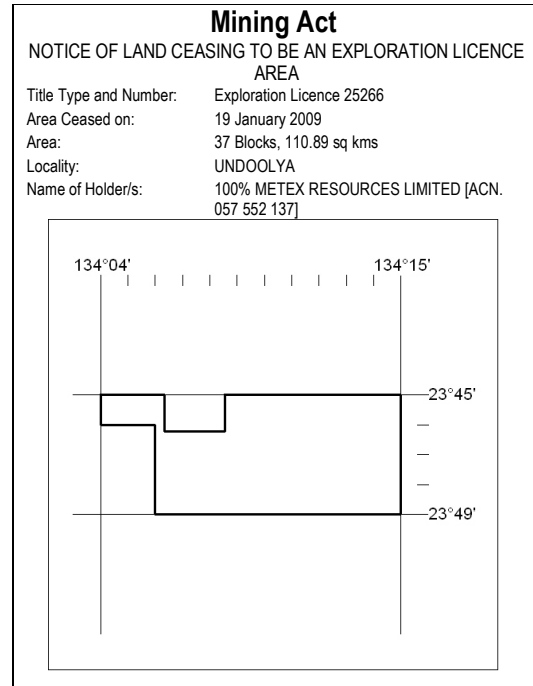
MN03/09

DARWIN

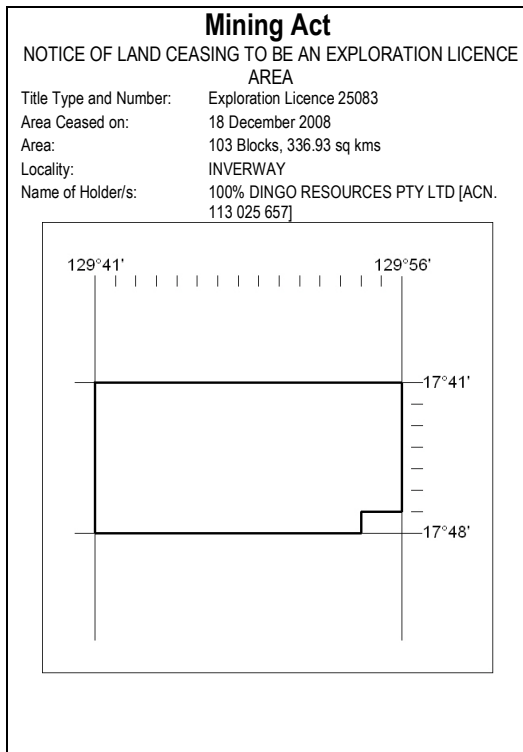
21 January 2009



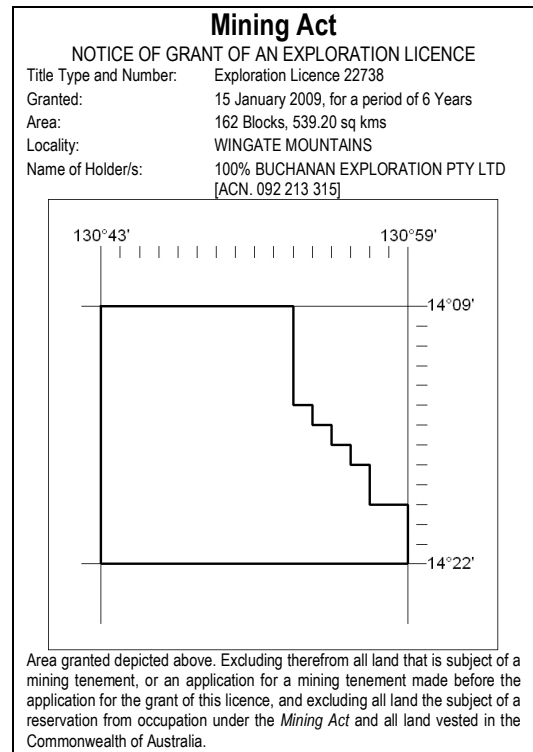
19/09



21/09



20/09

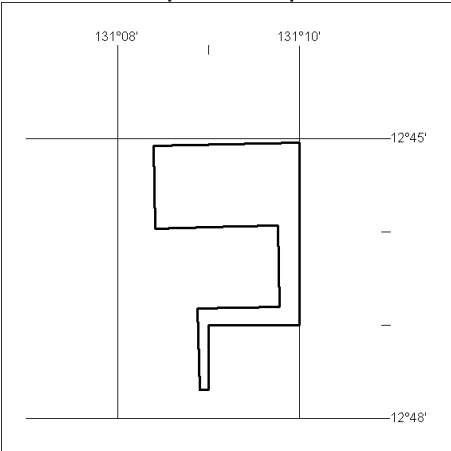


22/09

Mining Act

NOTICE OF GRANT OF AN EXPLORATION LICENCE

Title Type and Number: Exploration Licence 26777
 Granted: 15 January 2009, for a period of 6 Years
 Area: 5 Blocks, 6.33 sq kms
 Locality: NOONAMAH
 Name of Holder/s: 100% ACACIA MINERALS PTY LIMITED
 [ACN. 127 419 729]



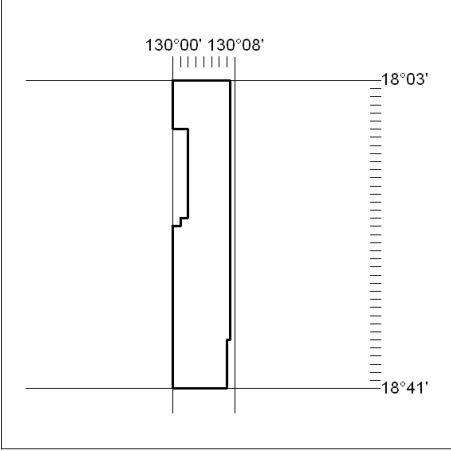
Area granted depicted above. Excluding therefrom all land that is subject of a mining tenement, or an application for a mining tenement made before the application for the grant of this licence, and excluding all land the subject of a reservation from occupation under the *Mining Act* and all land vested in the Commonwealth of Australia.

23/09

Mining Act

NOTICE OF GRANT OF AN EXPLORATION LICENCE

Title Type and Number: Exploration Licence 26804
 Granted: 12 January 2009, for a period of 6 Years
 Area: 275 Blocks, 833.60 sq kms
 Locality: STYLES
 Name of Holder/s: 100% INDEPENDENCE GROUP NL* [ACN. 092 786 304]



Area granted depicted above. Excluding therefrom all land that is subject of a mining tenement, or an application for a mining tenement made before the application for the grant of this licence, and excluding all land the subject of a reservation from occupation under the *Mining Act* and all land vested in the Commonwealth of Australia.

24/09