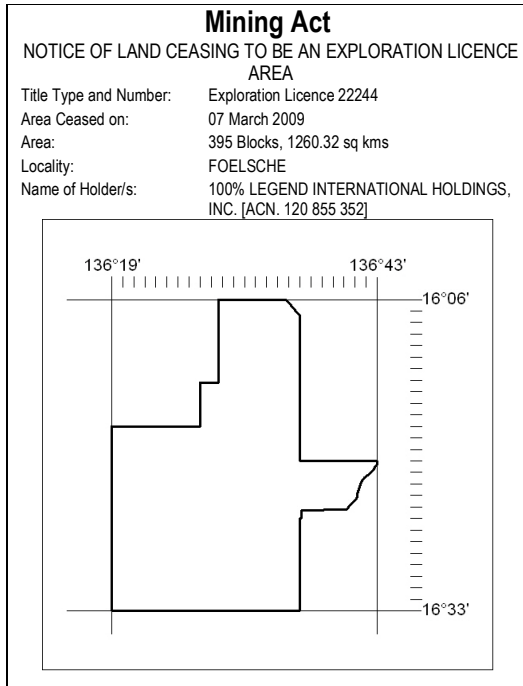




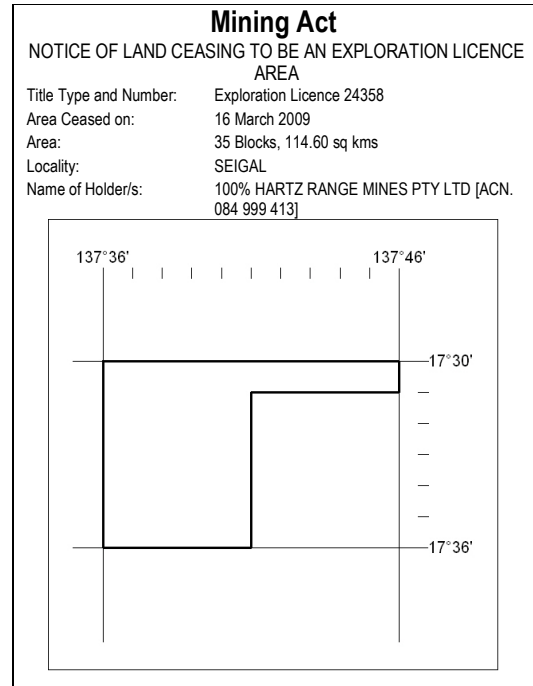
MN11/09

DARWIN

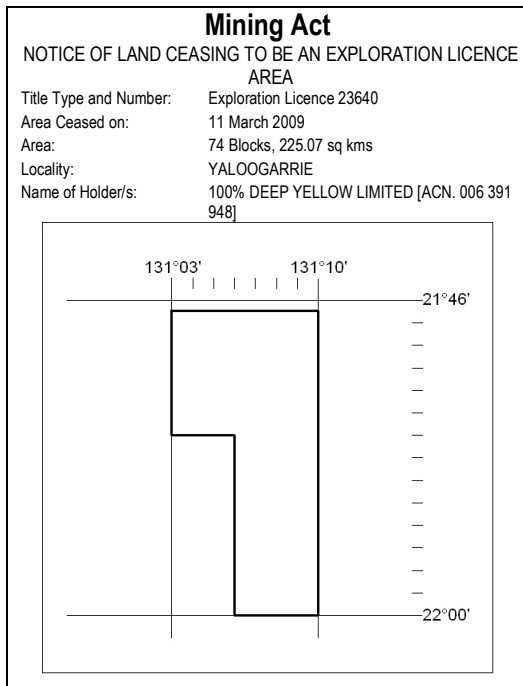
18 March 2009



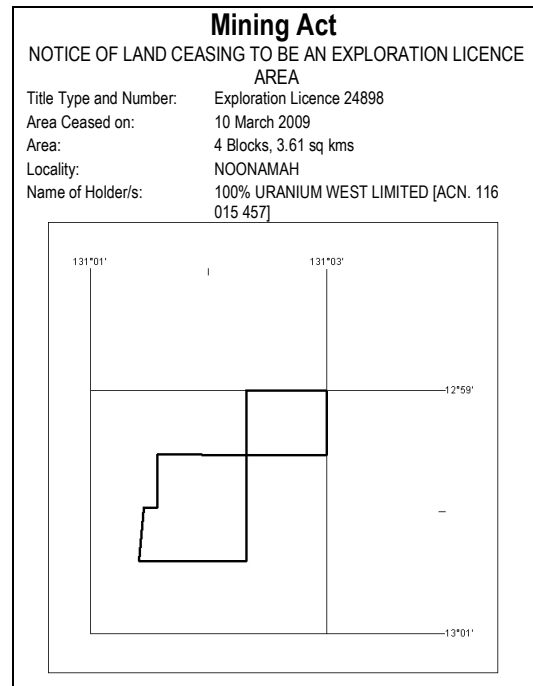
144/09



146/09



145/09



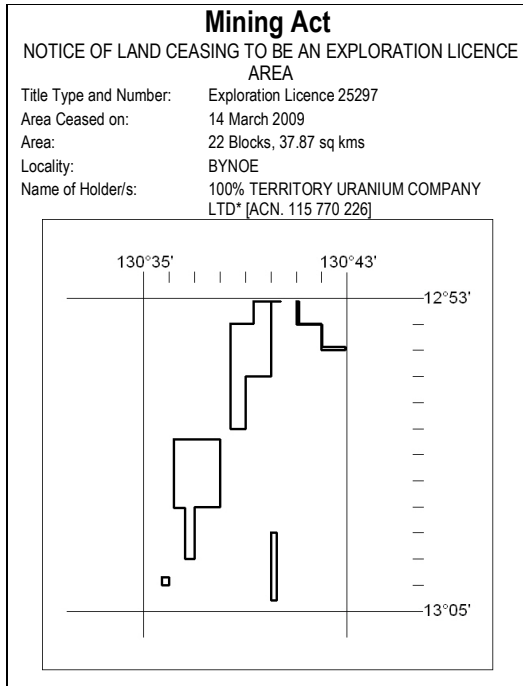
147/09



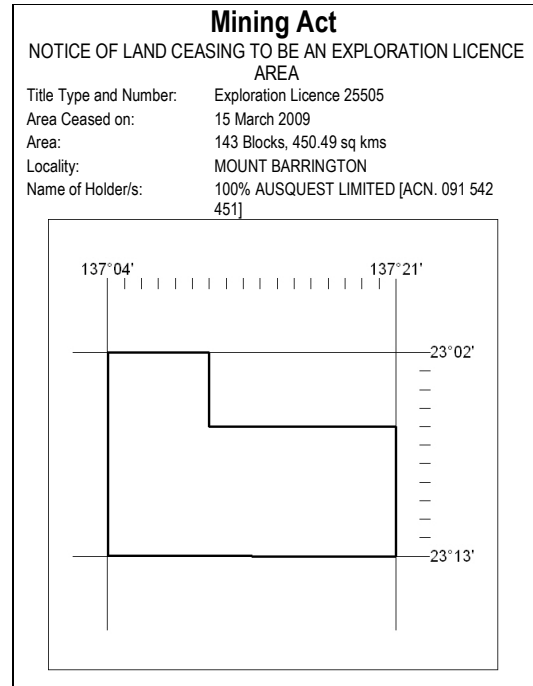
MN11/09

DARWIN

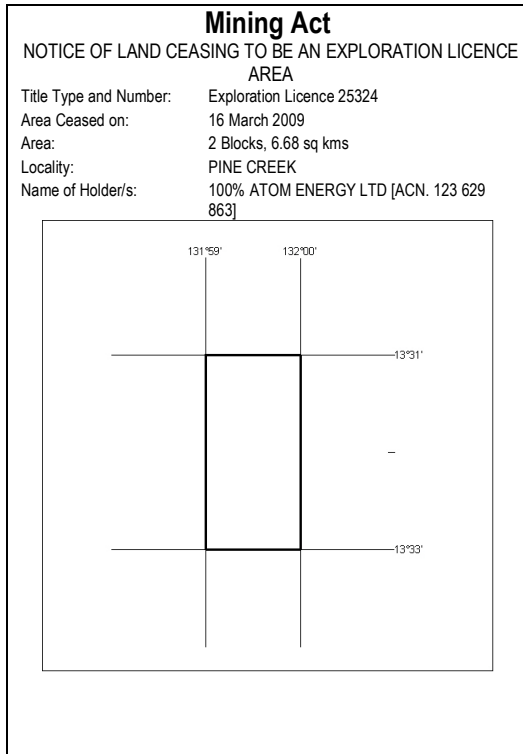
18 March 2009



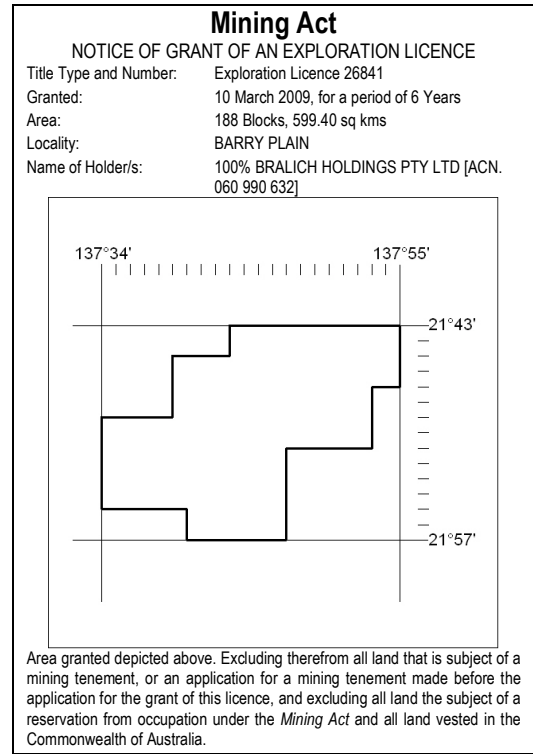
148/09



150/09



149/09



151/09



MN11/09

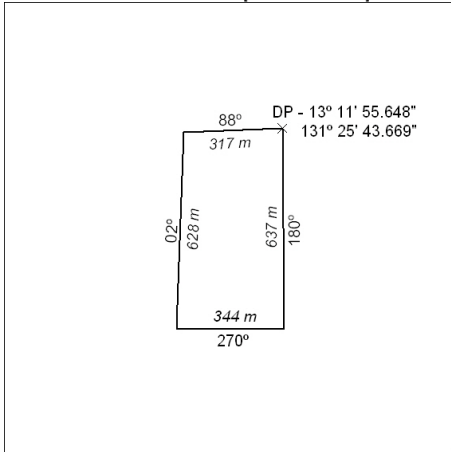
DARWIN

18 March 2009

Mining Act

NOTICE OF GRANT OF A MINING TENEMENT

Title Type and Number: Mineral Claim (Northern) 5129
 Granted: 27 February 2009, for a period of 10 Years
 Area: 21.04 Hectares
 Locality: BATCHELOR
 Name of Holder/s: 50% LANGLEY David John, 50% N.T. GOLD PTY LTD * [ACN. 009 625 870]

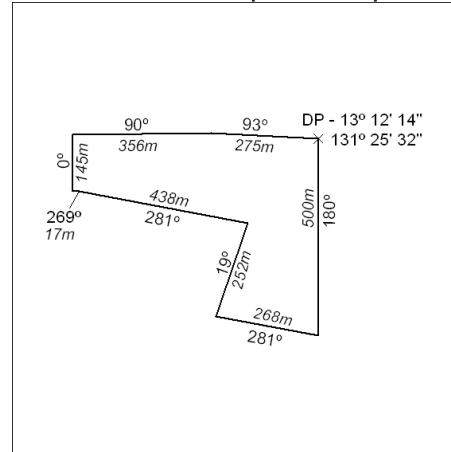


152/09

Mining Act

NOTICE OF GRANT OF A MINING TENEMENT

Title Type and Number: Mineral Claim (Northern) 5131
 Granted: 27 February 2009, for a period of 10 Years
 Area: 18.26 Hectares
 Locality: BATCHELOR
 Name of Holder/s: 50% LANGLEY David John, 50% N.T. GOLD PTY LTD * [ACN. 009 625 870]

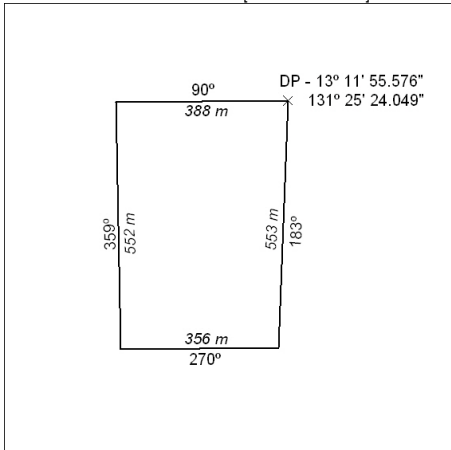


154/09

Mining Act

NOTICE OF GRANT OF A MINING TENEMENT

Title Type and Number: Mineral Claim (Northern) 5130
 Granted: 27 February 2009, for a period of 10 Years
 Area: 21.00 Hectares
 Locality: BATCHELOR
 Name of Holder/s: 50% LANGLEY David John, 50% N.T. GOLD PTY LTD * [ACN. 009 625 870]

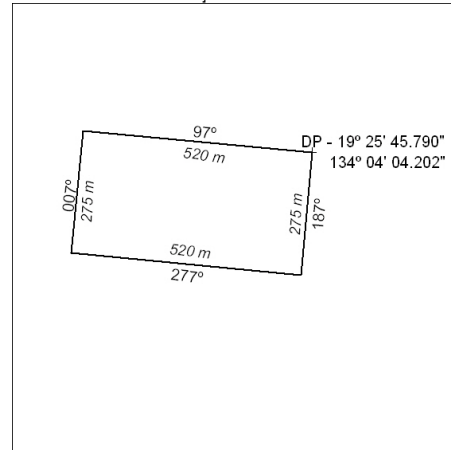


153/09

Mining Act

NOTICE OF GRANT OF A MINING TENEMENT

Title Type and Number: Mineral Lease 23969
 Granted: 17 March 2009, for a period of 25 Years
 Area: 15.00 Hectares
 Locality: FLYNN
 Name of Holder/s: 100% SANTEXCO PTY LTD [ACN. 002 910 296]



155/09



MN11/09

DARWIN

18 March 2009

Corrigendum:

Mining Notice 135/09 appearing on 11 March 2009
is hereby cancelled.